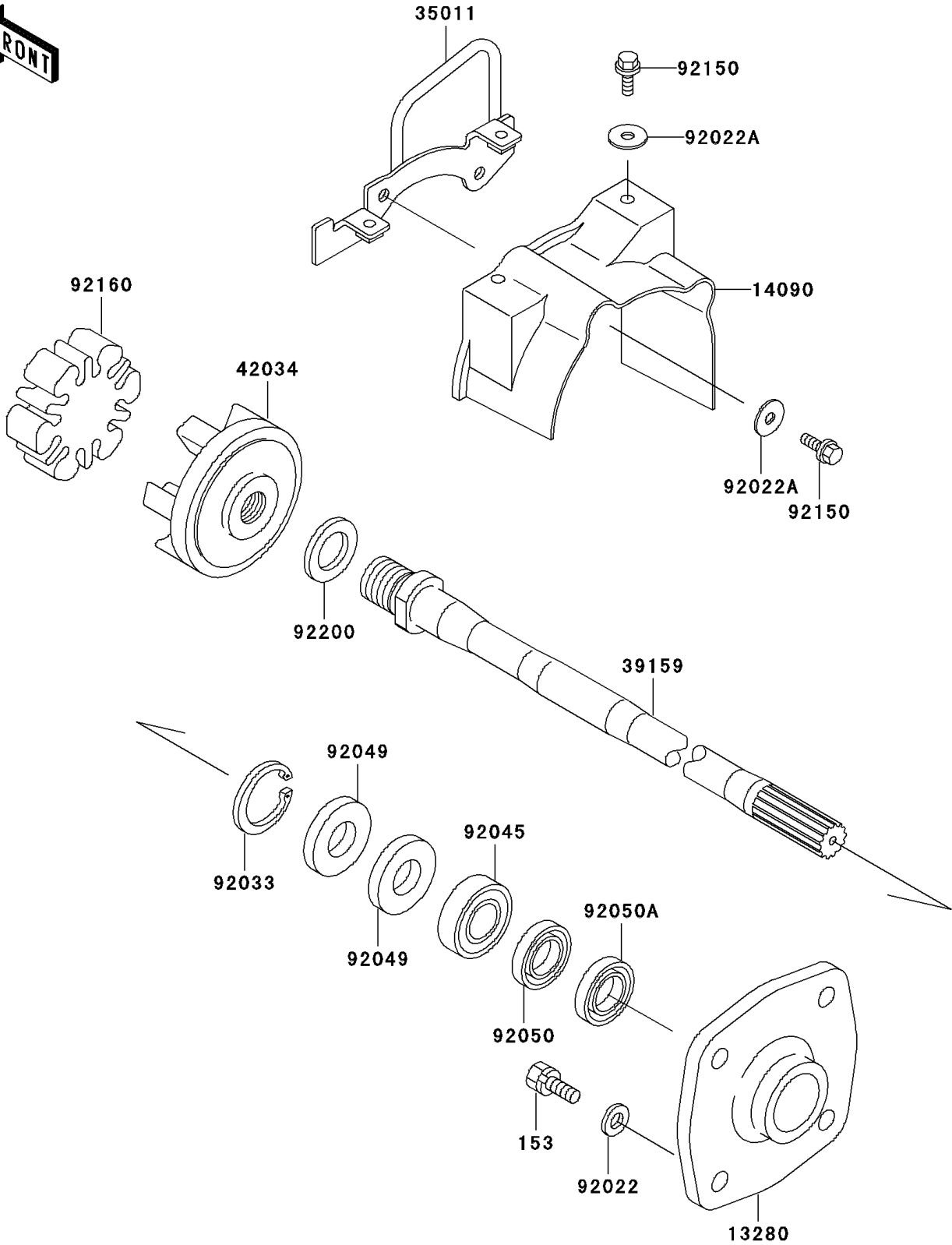


# 2003 Ultra 130 PARTS DIAGRAM

Drive Shaft

E3134



## 2003 Ultra 130 PARTS LIST

### Drive Shaft

ITEM NAME	PART NUMBER	QUANTITY
BOLT-WS-SMALL (Ref # 153)	153R0830	4
HOLDER (Ref # 13280)	13280-3730	1
COVER,COUPLING (Ref # 14090)	14090-3789	1
STAY (Ref # 35011)	35011-3715	1
SHAFT-DRIVE (Ref # 39159)	39159-3736	1
COUPLING (Ref # 42034)	42034-3709	1
WASHER,8.2X18X1.5 (Ref # 92022)	92022-1964	4
WASHER,6.5X20X1.5 (Ref # 92022A)	92022-3710	4
RING-SNAP,42MM (Ref # 92033)	92033-3713	1
BEARING-BALL,60042RD (Ref # 92045)	92045-3705	1
SEAL-OIL,S620426 (Ref # 92049)	92049-3707	2
SEAL-OIL,SCY20368 (Ref # 92050)	92050-502	1
SEAL-OIL,SC20367 (Ref # 92050A)	92050-503	1
BOLT,6X18 (Ref # 92150)	92150-3729	4
DAMPER,COUPLING (Ref # 92160)	92160-3883	1
WASHER,24X32X2.0 (Ref # 92200)	92200-3739	1