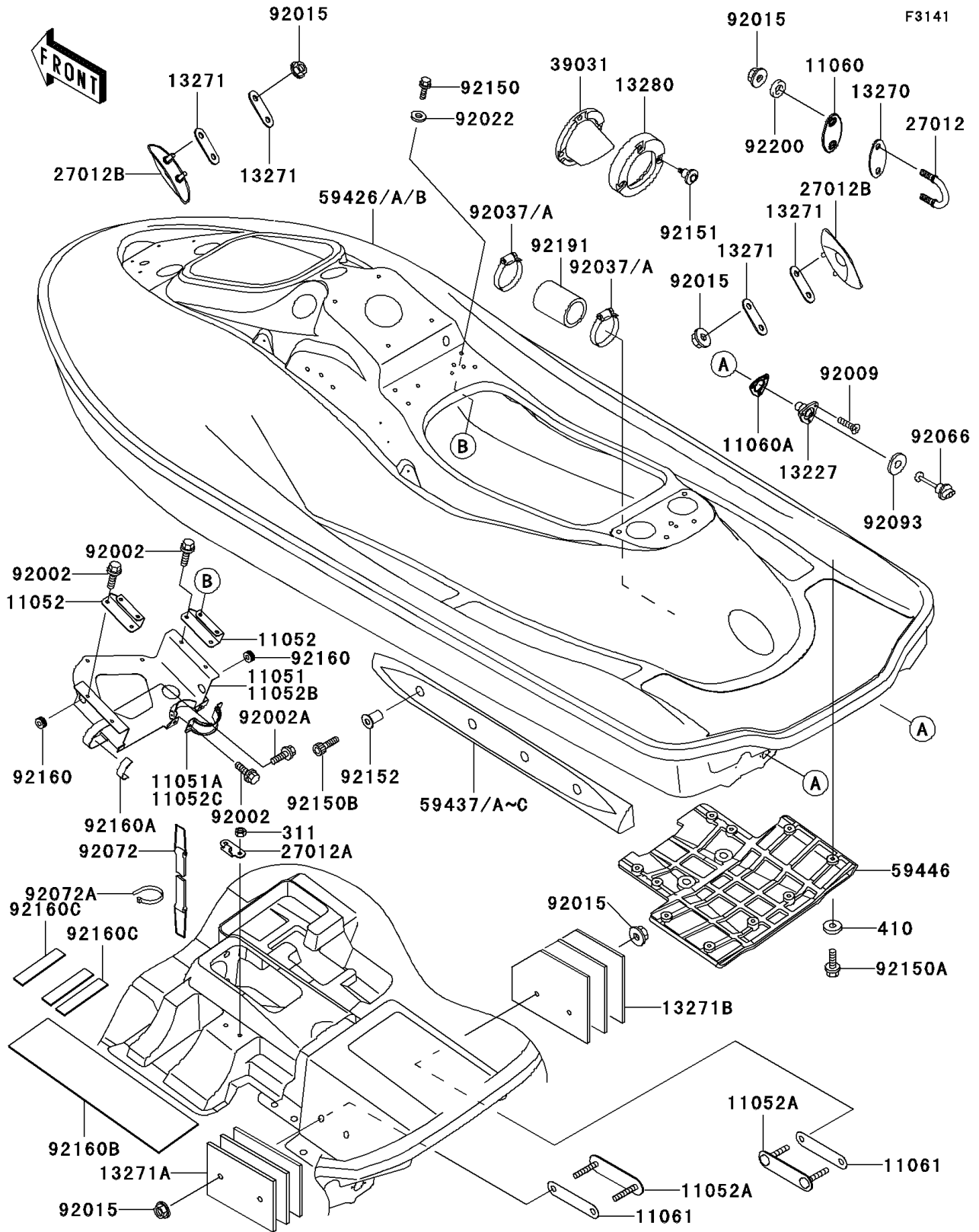


# 2001 Ultra 130 PARTS DIAGRAM

Hull



## 2001 Ultra 130 PARTS LIST

### Hull

ITEM NAME	PART NUMBER	QUANTITY
BRACKET,EMM&CONDENSOR (Ref # 11051)	11051-3734	1
BRACKET,FILTER (Ref # 11051A)	11051-3801	1
BRACKET (Ref # 11052)	11052-3741	2
BRACKET (Ref # 11052A)	11052-3750	2
GASKET,U HOOK,RR (Ref # 11060)	11060-3800	2
GASKET,DRAIN PLUG (Ref # 11060A)	11060-3801	2
GASKET (Ref # 11061)	11061-3705	2
HOUSING,DRAIN PLUG (Ref # 13227)	13227-3711	2
PLATE (Ref # 13270)	13270-3860	2
PLATE (Ref # 13271)	13271-3724	4
PLATE (Ref # 13271A)	13271-3824	3
PLATE (Ref # 13271B)	13271-3831	3
HOLDER,EXHAUST VALVE (Ref # 13280)	13280-3718	1
HOOK (Ref # 27012)	27012-3797	2
HOOK (Ref # 27012A)	27012-3816	1
HOOK,BOW,F.BLACK (Ref # 27012B)	27012-3822-6Z	2
CAP-END (Ref # 39031)	39031-3704	1
HULL-COMP,J.WHITE (Ref # 59426)	59426-3913-8C	1
STABILIZER,LH,O.BLUE (Ref # 59437)	59437-3733-253	1
STABILIZER,RH,O.BLUE (Ref # 59437B)	59437-3734-253	1
COVER-JET PUMP (Ref # 59446)	59446-3749	1
BOLT,6X16 (Ref # 92002)	92002-3728	6
BOLT,6X20 (Ref # 92002A)	92002-3755	1
SCREW,TAPPING,4X16 (Ref # 92009)	92009-3849	6
NUT,FLANGED,8MM (Ref # 92015)	92015-3709	12
WASHER,6.2X20X2 (Ref # 92022)	92022-3714	4
CLAMP (Ref # 92037A)	92037-509	2
PLUG,RR,DRAIN (Ref # 92066)	92066-3744	2
BAND,340X22 (Ref # 92072)	92072-3805	1

## 2001 Ultra 130 PARTS LIST

### Hull

ITEM NAME	PART NUMBER	QUANTITY
BAND,L=99 (Ref # 92072A)	92072-3871	1
SEAL (Ref # 92093)	92093-3720	2
BOLT,6X18 (Ref # 92150)	92150-3729	4
BOLT,SOCKET,6X18 (Ref # 92150A)	92150-3775	10
NUT-HEX,6MM (Ref # 311)	311R0600	2
WASHER-PLAIN-SMALL,6MM (Ref # 410)	410S0600	10
BOLT,SOCKET,6X30 (Ref # 92150B)	92150-3822	8
BOLT,SOCKET,M6,SHOULDER (Ref # 92151)	92151-3746	3
COLLAR (Ref # 92152)	92152-3715	8
DAMPER (Ref # 92160)	92160-1012	2
DAMPER (Ref # 92160A)	92160-3793	1
DAMPER (Ref # 92160B)	92160-3839	1
DAMPER (Ref # 92160C)	92160-3840	3
TUBE,39X51X70 (Ref # 92191)	92191-3856	1
WASHER (Ref # 92200)	92200-3779	4