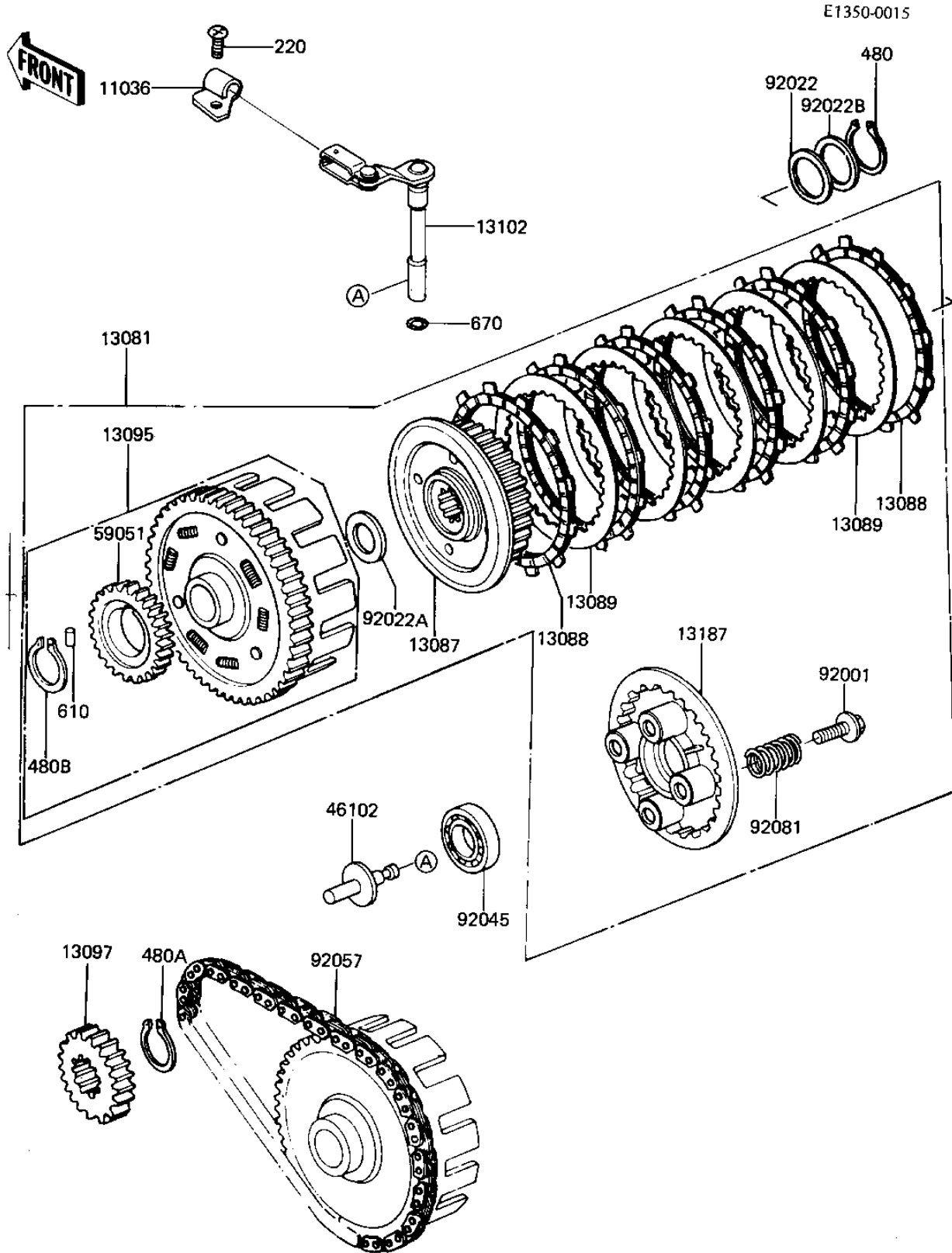


# 1982 KZ440-G1 PARTS DIAGRAM

## CLUTCH



# 1982 KZ440-G1 PARTS LIST

## CLUTCH

ITEM NAME	PART NUMBER	QUANTITY
BRACKET-A,CLUTCH RELE (Ref # 11036)	11036-1125	1
CLUTCH-ASSY (Ref # 13081)	13081-1067	1
HUB,CLUTCH (Ref # 13087)	13087-040	1
PLATE,FRICTION (Ref # 13088)	13088-1001	6
PLATE,CLUTCH STEEL (Ref # 13089)	13089-026	5
HOUSING,CLUTCH (Ref # 13095)	13095-1008	1
SPROCKET,PRIMARY (Ref # 13097)	13121-030	1
RELEASE-COMP-CLUTCH (Ref # 13102)	13102-1009	1
PLATE-CLUTCH OPERATIN (Ref # 13187)	13187-1007	1
ROD,CLUTCH (Ref # 46102)	46102-1031	1
GEAR,OIL PUMP,34T (Ref # 59051)	59051-1001	1
BOLT,CLUTCH SPR FITT (Ref # 92001)	92001-1066	4
WASHER-THRUST (Ref # 92022)	92022-225	1
WASHER,CLUTCH THRUST (Ref # 92022A)	92022-288	1
WASHER,CLUTCH TRUST (Ref # 92022B)	92022-302	1
BEARING-BALL,16005(NT (Ref # 92045)	92045-1045	1
CHAIN,PRIMARY DRIVE (Ref # 92057)	13122-005	1
SPRING,CLUTCH (Ref # 92081)	92081-1033	4
SCREW PAN HEAD 6X16 (Ref # 220)	220B0616	1
CIRCLIP 24MM (Ref # 480)	480J2400	1
CIRCLIP,30MM (Ref # 480A)	480J3000	1
CIRCLIP, 38MM (Ref # 480B)	480J3800	1
PIN, DOWELL, 6X6 (Ref # 610)	610A0606	1
"O" RING,9MM (Ref # 670)	670B1509	1