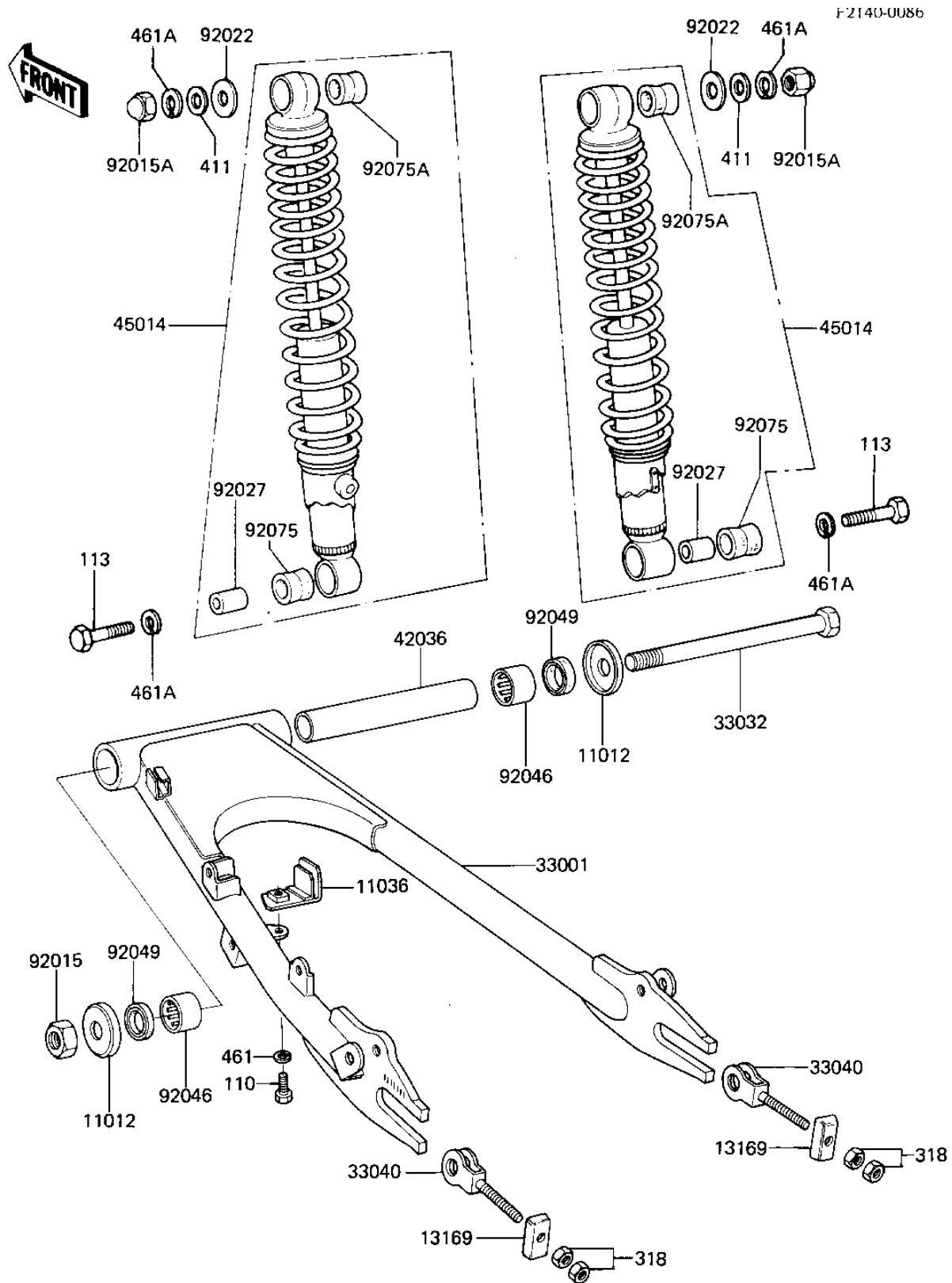


# 1982 KZ440-G1 PARTS DIAGRAM

## SWING ARM/SHOCK ABSORBERS



# 1982 KZ440-G1 PARTS LIST

## SWING ARM/SHOCK ABSORBERS

ITEM NAME	PART NUMBER	QUANTITY
CAP,SWING ARM (Ref # 11012)	11012-1029	2
BRACKET,BELT CASE (Ref # 11036)	11036-1486	1
PLATE-CHAIN ADJUSTER (Ref # 13169)	33041-002	2
ARM-COMP-SWING (Ref # 33001)	33001-1142	1
SHAFT,SWING ARM PIVOT (Ref # 33032)	33032-1011	1
ADJUSTER-CHAIN (Ref # 33040)	33040-1016	2
SLEEVE,SWING ARM (Ref # 42036)	42036-1017	1
SHOCKABSORBER,RR,BLACK (Ref # 45014)	45014-1218	2
NUT-LOCK,14MM (Ref # 92015)	92019-011	1
NUT SHOCK ABSORBER (Ref # 92015A)	92020-003	2
WASHER-PLN,10X22X3.2 (Ref # 92022)	92022-176	2
BUSHING,SHOCK ABSORB (Ref # 92027)	45016-008	2
BEARING-NEEDLE,HK2216 (Ref # 92046)	92046-1115	2
OIL SEAL,MHA22284 (Ref # 92049)	92049-1059	2
BUSHING, SHCK ABS RUB (Ref # 92075)	45017-012	2
BUSHING,SHCK ABS RUB (Ref # 92075A)	45017-015	2
BOLT-UPSET 6X14 (Ref # 110)	112B0614	1
BOLT HEX HEAD 10X35 (Ref # 113)	113N1035	2
NUT 8MM (Ref # 318)	318B0800	4
WASHER PLAIN 10MM (Ref # 411)	411B1000	2
WASHER SPRING 6MM (Ref # 461)	461F0600	1
WASHER SPRING 10MM (Ref # 461A)	461F1000	4