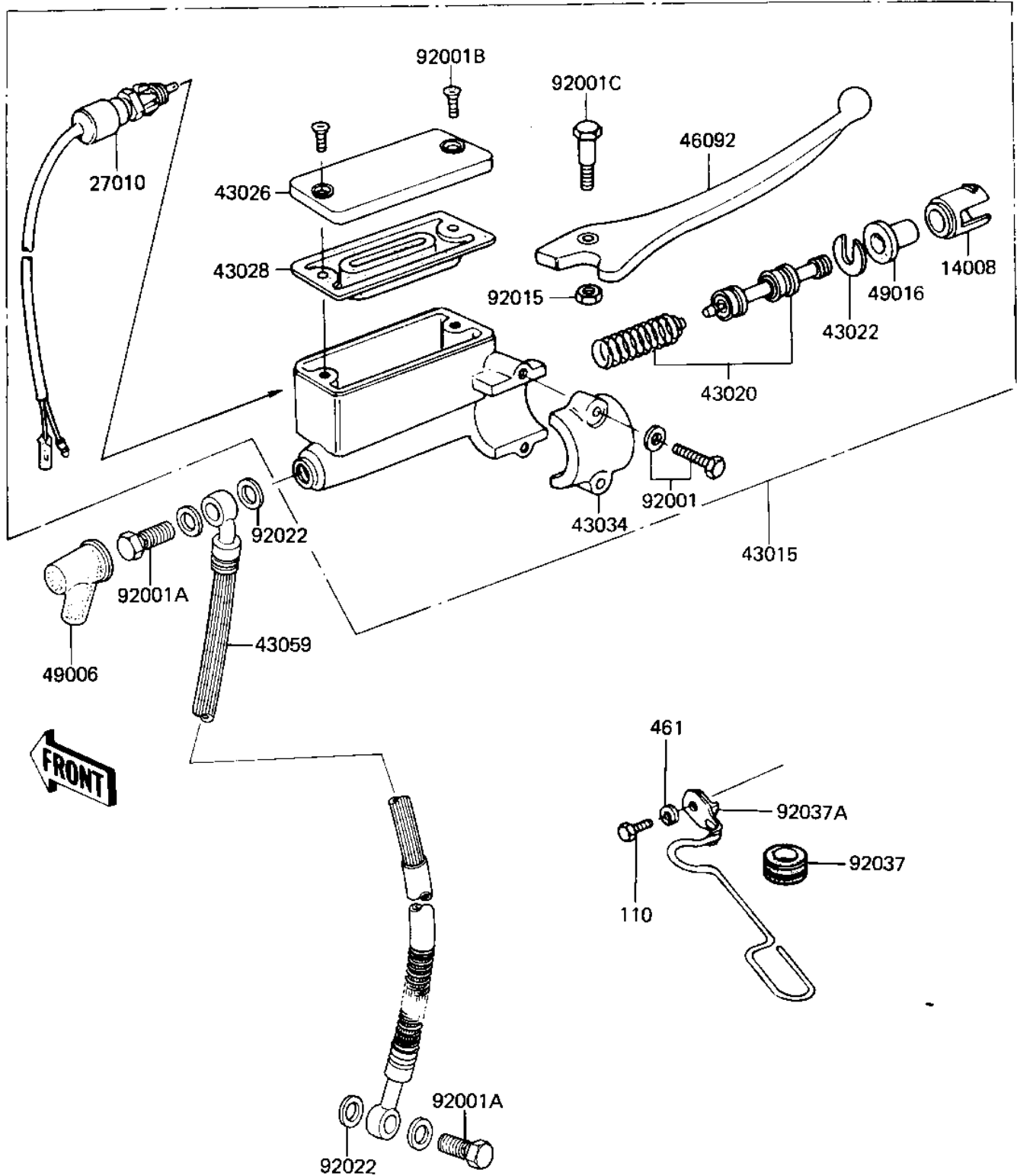


# 1982 KZ440-G1 PARTS DIAGRAM

## FRONT MASTER CYLINDER

F2291-0052



# 1982 KZ440-G1 PARTS LIST

## FRONT MASTER CYLINDER

ITEM NAME	PART NUMBER	QUANTITY
LINER,PISTON (Ref # 14008)	14008-1007	1
SWITCH,BRAKE (Ref # 27010)	27010-1028	1
MASTER CYLINDER (Ref # 43015)	43015-1034	1
PISTON-COMP-BRAKE (Ref # 43020)	43020-1026	1
STOPER,PISTON (Ref # 43022)	43022-1001	1
CAP,OIL CUP (Ref # 43026)	43026-1006	1
DIAPHRAGM (Ref # 43028)	43028-1008	1
HOLDER,MASTER CYLINDR (Ref # 43034)	43034-1001	1
HOSE-BRAKE,FR,L=940 (Ref # 43059)	43059-1135	1
LEVER-GRIP,FRONT BRAK (Ref # 46092)	46092-1038	1
BOOT,DUST (Ref # 49006)	49006-1041	1
DUST COVER (Ref # 49016)	49016-1010	1
BOLT,HEX HEAD,6X25 (Ref # 92001)	43033-003	2
BOLT,OIL,L=23 (Ref # 92001A)	92002-1888	2
SCREW,COUNTERSUNK HED (Ref # 92001B)	92001-1055	2
BOLT,CLUTCH LEV FITT (Ref # 92001C)	92001-1056	1
NUT 6MM (Ref # 92015)	312B0600	1
WASHER-OIL BOLT (Ref # 92022)	43067-001	4
DAMPER RUBBER,CYL HSE (Ref # 92037)	43064-006	1
CLAMP,CABLE (Ref # 92037A)	92037-1116	1
BOLT-UPSET,6X12 (Ref # 110)	112G0612	1
WASHER SPRING 6MM (Ref # 461)	461F0600	1