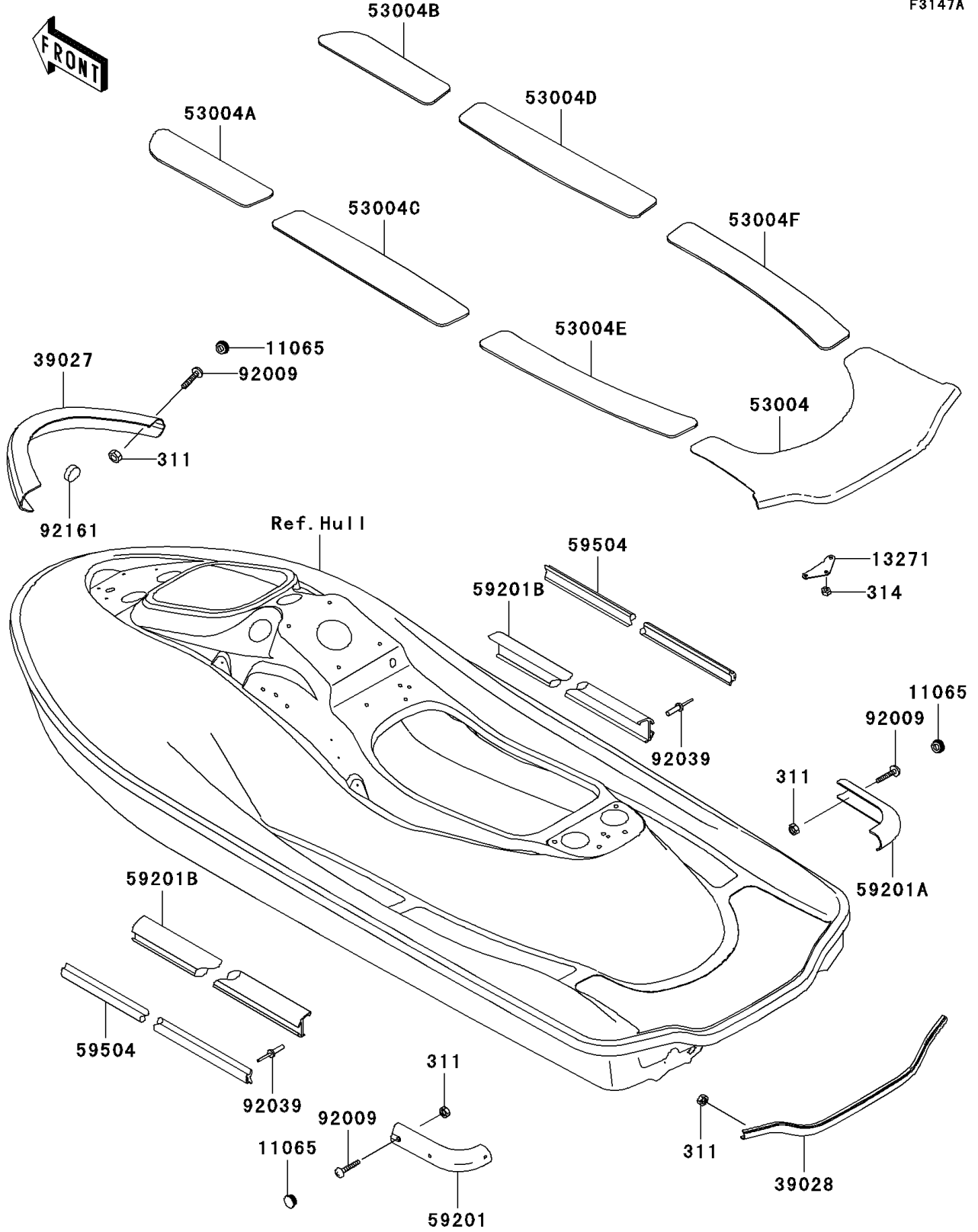


# 2004 Ultra 130 PARTS DIAGRAM

Pads(JH1100-B3/B4)

F3147A



## 2004 Ultra 130 PARTS LIST

Pads(JH1100-B3/B4)

ITEM NAME	PART NUMBER	QUANTITY
NUT-HEX,5MM (Ref # 311)	311R0500	16
NUT-HEX-FINE,10MM (Ref # 314)	314R1000	3
CAP,F.BLACK (Ref # 11065)	11065-3707-6Z	10
PLATE (Ref # 13271)	13271-3759	1
BUMPER-FRONT,F.BLACK (Ref # 39027)	39027-3743-6Z	1
BUMPER-REAR,F.BLACK (Ref # 39028)	39028-3743-6Z	1
MAT,RR,F.BLACK (Ref # 53004)	53004-3820-6Z	1
MAT,FR,LH,F.BLACK (Ref # 53004A)	53004-3858-6Z	1
MAT,FR,RH,F.BLACK (Ref # 53004B)	53004-3859-6Z	1
MAT,MIDDLE,LH (Ref # 53004C)	53004-3860	1
MAT,MIDDLE,RH (Ref # 53004D)	53004-3861	1
MAT,RR,LH (Ref # 53004E)	53004-3862	1
MAT,RR,RH (Ref # 53004F)	53004-3863	1
BUMPER,CORNER,LH,F.BLACK (Ref # 59201)	59201-3780-6Z	1
BUMPER,CORNER,RH,F.BLACK (Ref # 59201A)	59201-3781-6Z	1
BUMPER,SIDE,F.BLACK (Ref # 59201B)	59201-3786-6Z	2
INSERT-BOAT FENDER,F.BLACK (Ref # 59504)	59504-3728-6Z	2
SCREW,5X30 (Ref # 92009)	92009-3834	10
RIVET (Ref # 92039)	92039-3770	24
DAMPER (Ref # 92161)	92161-3713	1