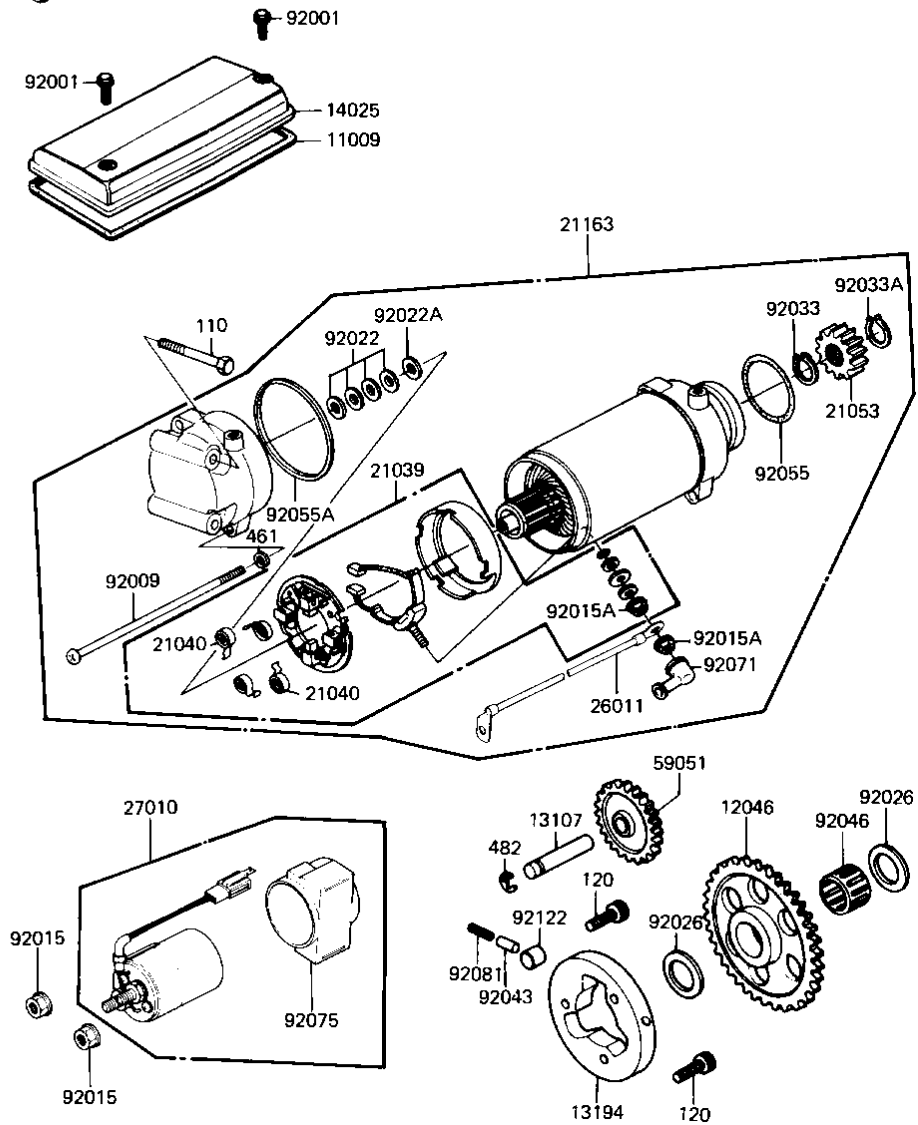


1982 Spectre PARTS DIAGRAM

STARTER MOTOR/STARTER CLUTCH



E1840-0032



1982 Spectre PARTS LIST

STARTER MOTOR/STARTER CLUTCH

| ITEM NAME | PART NUMBER | QUANTITY |
|-------------------------------------|-------------|----------|
| GASKET,STARTER COVER (Ref # 11009) | 21166-003 | 1 |
| SPROCKET,STARTER,58T (Ref # 12046) | 12046-1032 | 1 |
| SHAFT,IDLE GEAR (Ref # 13107) | 21143-003 | 1 |
| CLUTCH-ASSY-ONEWAY (Ref # 13194) | 13193-1012 | 1 |
| COVER,STARTER,GOLD (Ref # 14025) | 14025-1451 | 1 |
| BRUSH,CARBON (Ref # 21039) | 21039-1053 | 1 |
| SPRING-BRUSH (Ref # 21040) | 21040-1003 | 4 |
| PINION,STARTER (Ref # 21053) | 21053-004 | 1 |
| STARTER-ELECTRIC (Ref # 21163) | 21163-1025 | 1 |
| WIRE,STARTER MOTOR (Ref # 26011) | 26011-1049 | 1 |
| SWITCH,MAGNETIC (Ref # 27010) | 27010-1071 | 1 |
| GEAR,IDLE,29T (Ref # 59051) | 21167-004 | 1 |
| BOLT,6X10 (Ref # 92001) | 92001-1151 | 2 |
| SCREW,PAN HEAD,6X130 (Ref # 92009) | 21099-006 | 2 |
| NUT-6MM (Ref # 92015) | 92015-1078 | 2 |
| NUT-6MM (Ref # 92015A) | 92015-1078 | 2 |
| WASHER,THRUST,0.2T (Ref # 92022) | 21025-011 | 4 |
| WASHER,THRUST,0.8T (Ref # 92022A) | 92022-1132 | 1 |
| SPACER,25X36X3.2 (Ref # 92026) | 92026-1025 | 2 |
| CIRCLIP (Ref # 92033) | 92033-034 | 1 |
| CIRCLIP,13M/M (Ref # 92033A) | 92033-037 | 1 |
| PIN (Ref # 92043) | 92043-087 | 3 |
| BRG,NEEDLE,K253017 (Ref # 92046) | 92046-056 | 1 |
| "O" RING,40M/M (Ref # 92055) | 21027-008 | 1 |
| "O" RING,STARTER MOT (Ref # 92055A) | 92055-1086 | 1 |
| GROMMET,CORD (Ref # 92071) | 21017-017 | 1 |
| DAMPER MAG SWITCH SH (Ref # 92075) | 21064-002 | 1 |
| SPRING (Ref # 92081) | 92081-110 | 3 |
| ROLLER (Ref # 92122) | 92122-004 | 3 |

1982 Spectre PARTS LIST

STARTER MOTOR/STARTER CLUTCH

| ITEM NAME | PART NUMBER | QUANTITY |
|-------------------------------|-------------|----------|
| BOLT-UPSET (Ref # 110) | 112G0660 | 2 |
| BOLT,SOCKET,8X12 (Ref # 120) | 120P0812 | 3 |
| WASHER SPRING 6MM (Ref # 461) | 461F0600 | 3 |
| CIRCLIP 12MM (Ref # 482) | 482K0200 | 1 |