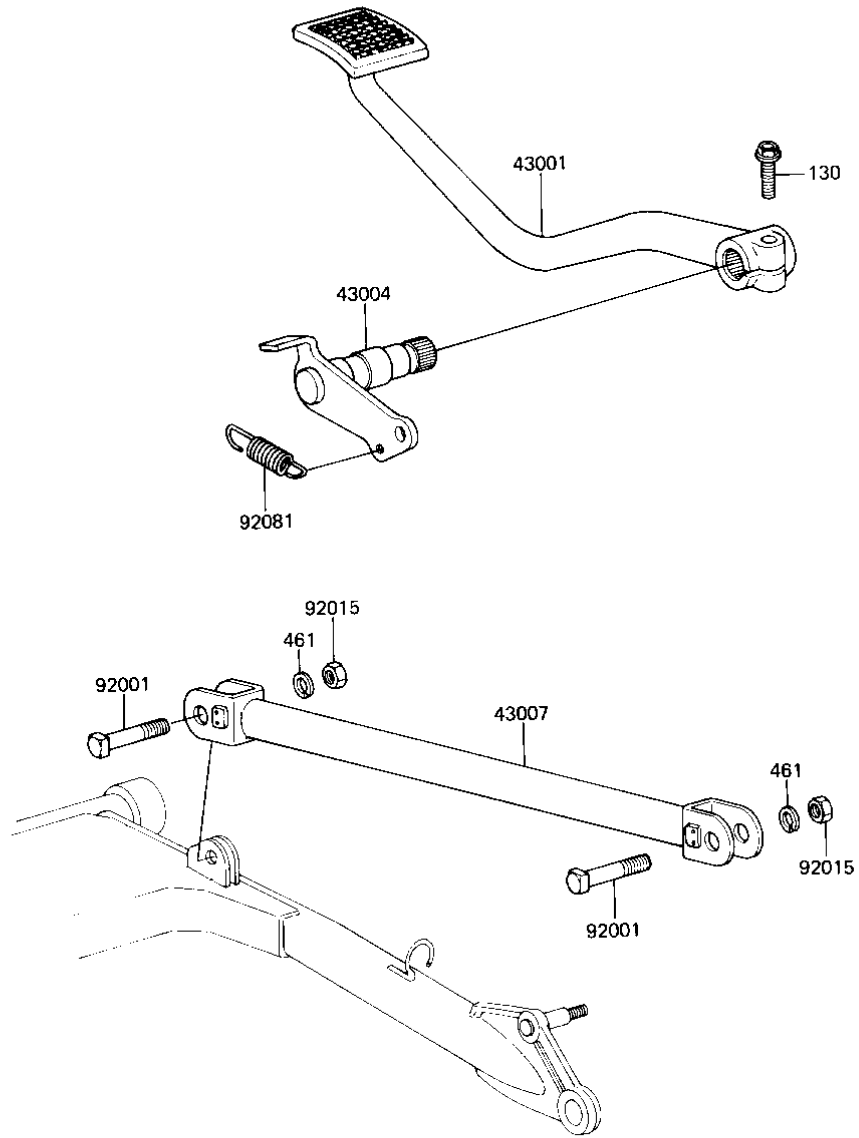


1982 Spectre PARTS DIAGRAM

BRAKE PEDAL

F2260-0088



1982 Spectre PARTS LIST

BRAKE PEDAL

ITEM NAME	PART NUMBER	QUANTITY
LEVER-BRAKE,PEDAL (Ref # 43001)	43001-1085	1
SHAFT-BRAKE (Ref # 43004)	43004-1039	1
ROD-TORQUE,RR (Ref # 43007)	43007-1034	1
BOLT,10X37 (Ref # 92001)	92001-1646	2
NUT,LOCK,10MM,BLACK (Ref # 92015)	92015-1189	2
SPRING,BRAKE PEDAL (Ref # 92081)	92081-1313	1
BOLT-FLANGED,8X25,BL (Ref # 130)	130J0825	1
WASHER-SPRING,10MM (Ref # 461)	461K1000	2