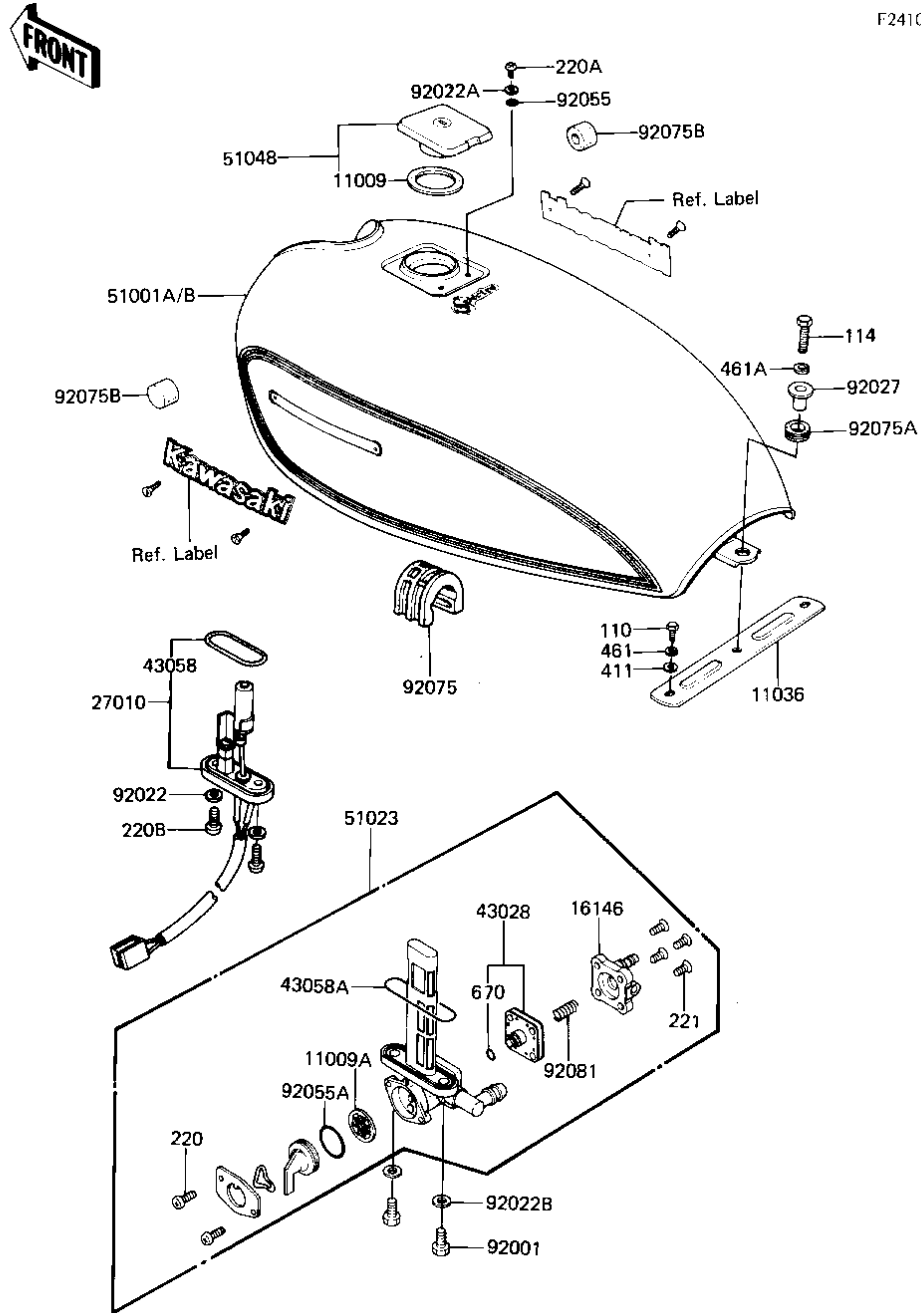


1982 Spectre PARTS DIAGRAM

FUEL TANK

F2410-0118



1982 Spectre PARTS LIST

FUEL TANK

ITEM NAME	PART NUMBER	QUANTITY
GASKET,FUEL TANK CAP (Ref # 11009)	11009-1051	1
GASKET,FUEL TAP (Ref # 11009A)	11009-1188	1
BRACKET-A,FUEL TANK (Ref # 11036)	11036-1321	1
COVER ASSY,FUEL TAP (Ref # 16146)	16146-1009	1
SWITCH,FUEL LEVEL (Ref # 27010)	27010-1055	1
DIAPHRAGM (Ref # 43028)	43028-1033	1
"O" RING,FUEL SWITCH (Ref # 43058)	43058-1004	1
"O" RING (Ref # 43058A)	51039-003	1
TANK-FUEL,T.T.EBONY (Ref # 51001A)	51001-5181-F7	1
TAP-ASSY (Ref # 51023)	51023-1044	1
CAP-ASSY-TANK,FUEL (Ref # 51048)	51048-1015	1
BOLT,6X20,FUEL TAP (Ref # 92001)	92001-1091	2
WASHER,5.2X10X1.5 (Ref # 92022)	92022-1023	2
WASHER,PLAIN (Ref # 92022A)	92022-1038	2
WASHER-PLAIN (Ref # 92022B)	92022-183	2
COLLAR,ENGINE HEAD (Ref # 92027)	92027-1116	1
"O" RING (Ref # 92055)	92055-1023	2
"O" RING,FUEL TAP LE (Ref # 92055A)	92055-1085	1
DAMPER,FUEL TANK (Ref # 92075)	92075-1065	1
DAMPER RUBBER,MUFFLE (Ref # 92075A)	92075-1086	1
DAMPER RUBBER,FL TAN (Ref # 92075B)	92075-125	2
SPRING,DIAPHRAGM VAL (Ref # 92081)	92081-1240	1
BOLT-UPSET,6X12 (Ref # 110)	112G0612	2
BOLT-SMALL-UPSET,8X3 (Ref # 114)	115G0830	1
SCREW PAN HEAD 3X8 (Ref # 220)	220B0308	2
SCREW PAN HEAD 5X10 (Ref # 220A)	220B0510	2
SCREW-PAN-CROS (Ref # 220B)	220B0514	2
SCREW-CSK-CROS,4X14 (Ref # 221)	221B0414	4
WASHER PLAIN 6MM (Ref # 411)	411B0600	2

1982 Spectre PARTS LIST

FUEL TANK

ITEM NAME	PART NUMBER	QUANTITY
WASHER SPRING 6MM (Ref # 461)	461F0600	2
WASHER SPRING 8MM (Ref # 461A)	461F0800	1
"O" RING,4MM (Ref # 670)	670B1504	1