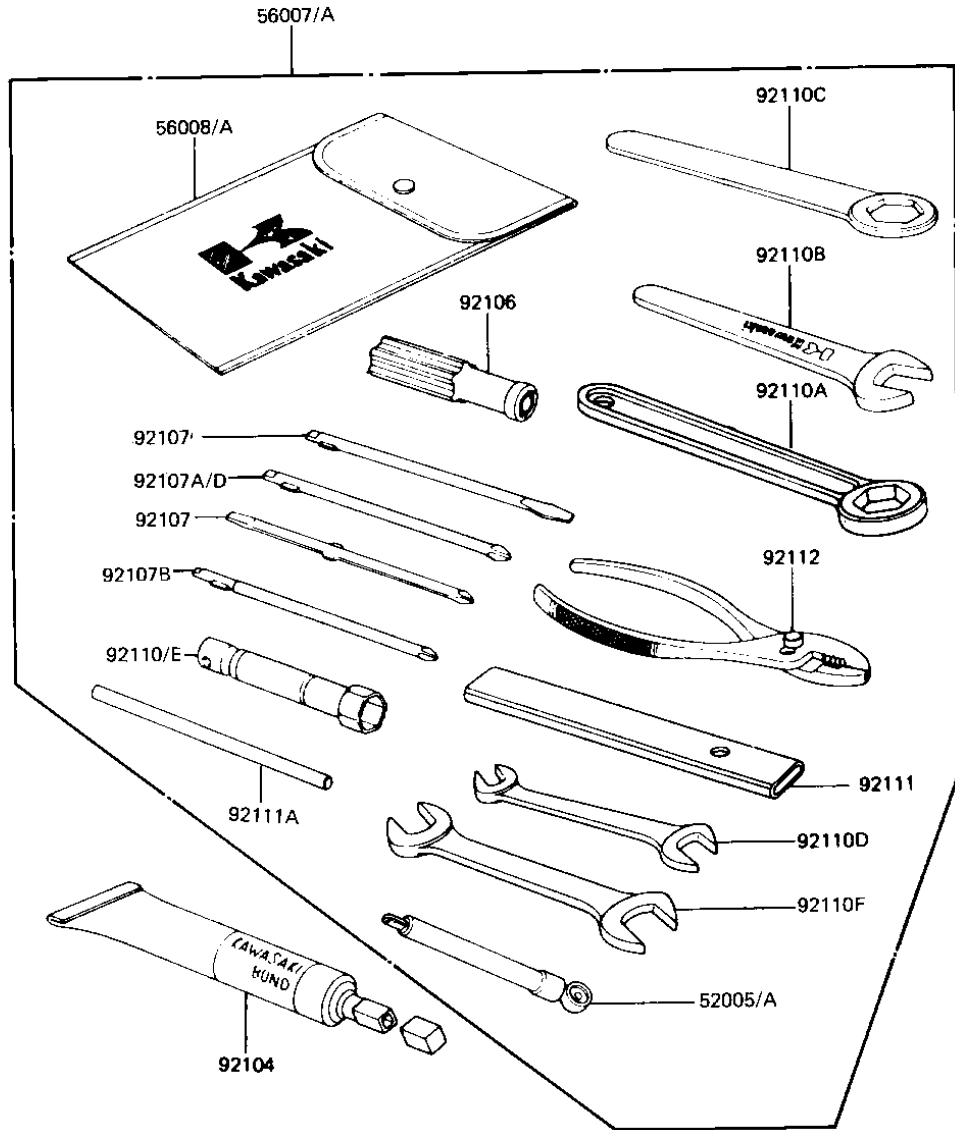


# 1983 Spectre PARTS DIAGRAM

OWNER TOOLS

F2810-0089



# 1983 Spectre PARTS LIST

## OWNER TOOLS

ITEM NAME	PART NUMBER	QUANTITY
GAUGE,AIR,3.5KG/CM2 (Ref # 52005A)	52005-1031	1
56007-1212 (Canada) (Ref # 56007A)	56007-1153	1
BAG,TOOLKIT (Ref # 56008A)	56008-1019	1
LIQUID GASKET (Ref # 92014)	92104-002	1
GRIP,SCREW DRIVER (Ref # 92106)	92106-1001	1
TOOL-DRIVER (Ref # 92107)	92107-1052	1
TOOL-WRENCH,OPEN END (Ref # 92110D)	92110-1038	1
WRENCH,SPARK PLUG (Ref # 92110E)	92108-008	1
TOOL-WRENCH,OPEN END (Ref # 92110F)	92110-1153	1
BAR,SPARK PLUG WRENC (Ref # 92111A)	92111-005	1
PLIERS,160MM (Ref # 92112)	92112-003	1