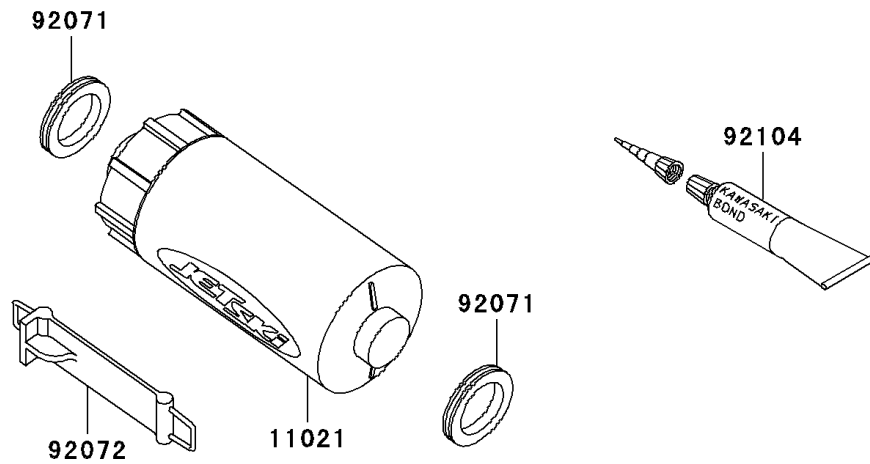
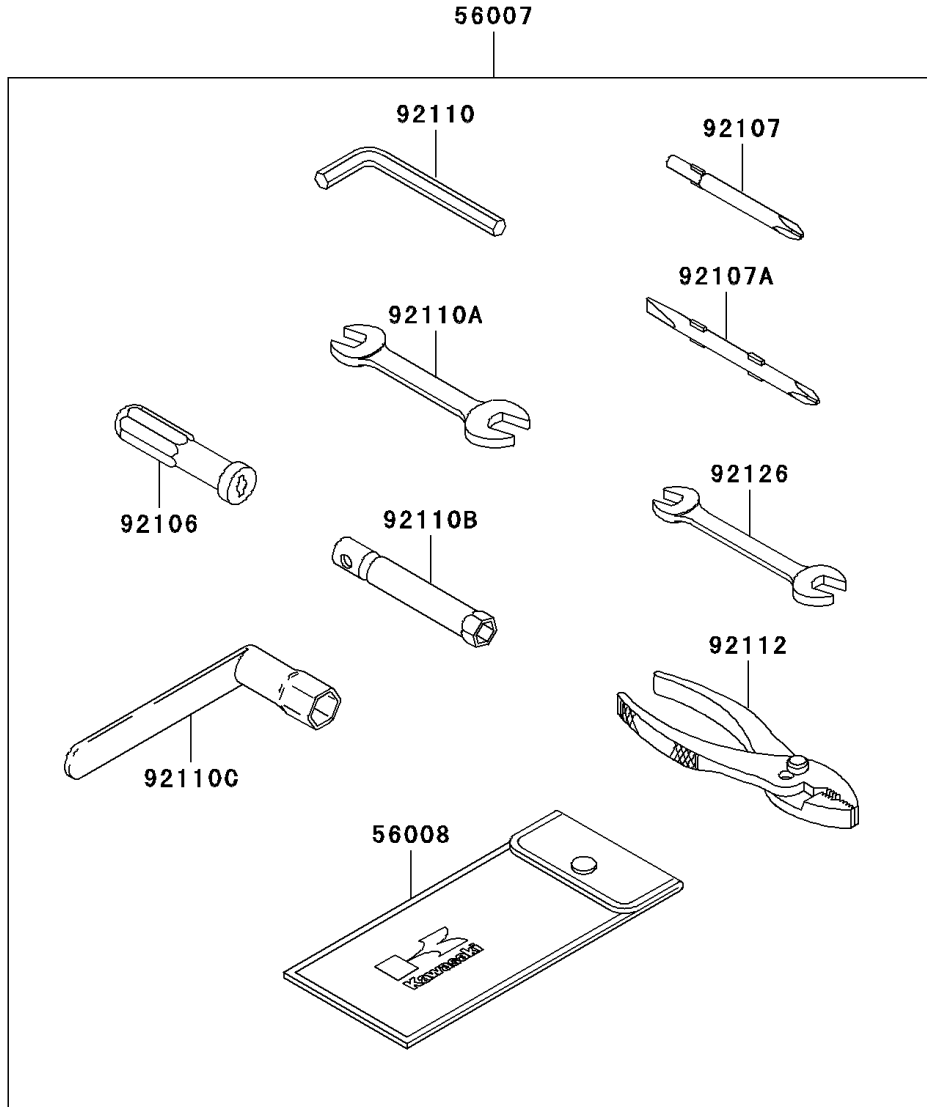


# 2004 Ultra 130 PARTS DIAGRAM

Owner's Tools(JH1100-B3/B4)

F3182A



## 2004 Ultra 130 PARTS LIST

Owner's Tools(JH1100-B3/B4)

ITEM NAME	PART NUMBER	QUANTITY
CASE-ASSY,TOOL (Ref # 11021)	11021-3706	1
TOOL-KIT (Ref # 56007)	56007-3717	1
BAG,TOOL (Ref # 56008)	56008-3702	1
GROMMET (Ref # 92071)	92071-3831	2
BAND,TOOL CASE (Ref # 92072)	92072-3842	1
GASKET-LIQUID,TUBE,100G,SILVER (Ref # 92104)	92104-002	AR
GRIP-SCREW DRIVER (Ref # 92106)	92106-1001	1
TOOL-DRIVER,#3PHILLIPS (Ref # 92107)	92107-005	1
TOOL-DRIVER,#2PHILLIPS&SLOT (Ref # 92107A)	92107-1051	1
TOOL-WRENCH,ALLEN,5MM (Ref # 92110)	92110-1015	1
TOOL-WRENCH,OPEN END,10X12 (Ref # 92110A)	92110-1152	1
TOOL-WRENCH,BOX,10MM (Ref # 92110B)	92110-1156	1
TOOL-WRENCH,BOX,16MM (Ref # 92110C)	92110-3705	1
TOOL-PLIERS (Ref # 92112)	92112-1001	1
TOOL-WRENCH,OPEN END,8X10 (Ref # 92126)	92126-004	1