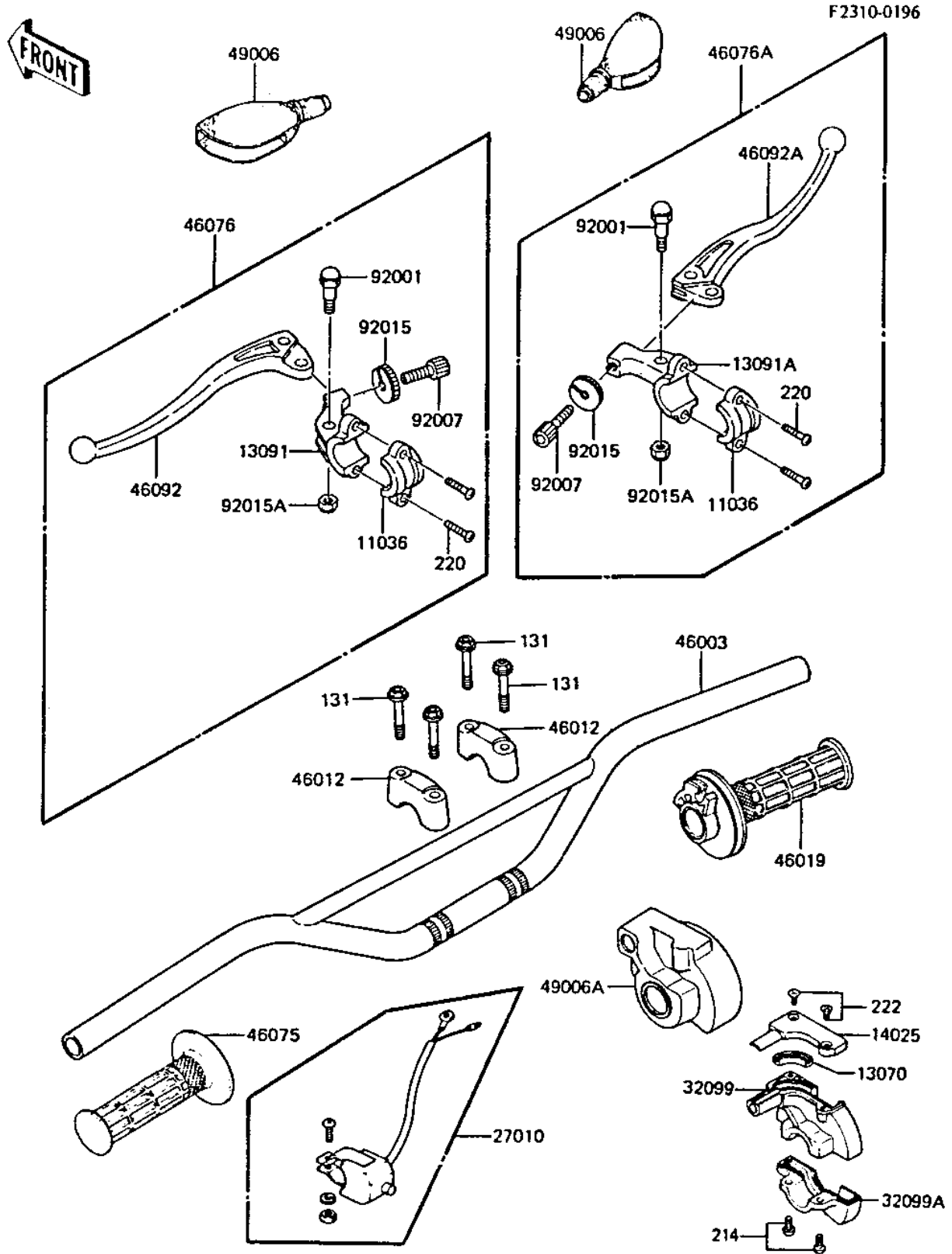


1984 KX60 PARTS DIAGRAM

HANDLEBAR



1984 KX60 PARTS LIST

HANDLEBAR

ITEM NAME	PART NUMBER	QUANTITY
BRACKET-A (Ref # 11036)	11036-1297	2
GUIDE, THROTTLE (Ref # 13070)	13070-1074	1
HOLDER,CLUTCH LEVER (Ref # 13091)	13091-1131	1
HOLDER,BRAKE LEVER (Ref # 13091A)	13091-1135	1
COVER,THROTTLE CASE U (Ref # 14025)	14025-1646	1
SWITCH,ASSY,ENG STOP (Ref # 27010)	27010-1018	1
CASE,THROTTLE UPP (Ref # 32099)	32099-1036	1
CASE,THROTTLE LWR (Ref # 32099A)	32099-1044	1
HANDLE (Ref # 46003)	46003-1108	1
HOLDER-HANDLE,UPPER (Ref # 46012)	46012-1030	2
GRIP-ASSY,THROTTLE (Ref # 46019)	46019-1027	1
GRIP,LH (Ref # 46075)	46075-1024	1
LEVER-ASSY-GRIP,LH (Ref # 46076)	46076-1106	1
LEVER-ASSY-GRIP,RH (Ref # 46076A)	46076-1107	1
LEVER-GRIP,CLUTCH (Ref # 46092)	46092-1047	1
LEVER-GRIP,BRAKE (Ref # 46092A)	46092-1048	1
BOOTS,LEVER HOLDER (Ref # 49006)	49006-1017	2
BOOT,THROTTLE CASE (Ref # 49006A)	49006-1097	1
BOLT,LEVER SET (Ref # 92001)	92001-1757	2
SCREW,CABLE ADJUST (Ref # 92007)	46055-010	2
NUT,CABLE ADJUST LOCK (Ref # 92015)	46056-006	2
NUT (Ref # 92015A)	92019-008	2
BOLT-FLANGED,8X30 (Ref # 131)	131G0830	4
SCREW 5X18 (Ref # 214)	214B0518	2
SCREW-PAN-CROSS,5X14 (Ref # 220)	220C0514	4
SCREW OVL CNTSNK 4X12 (Ref # 222)	222E0412	2