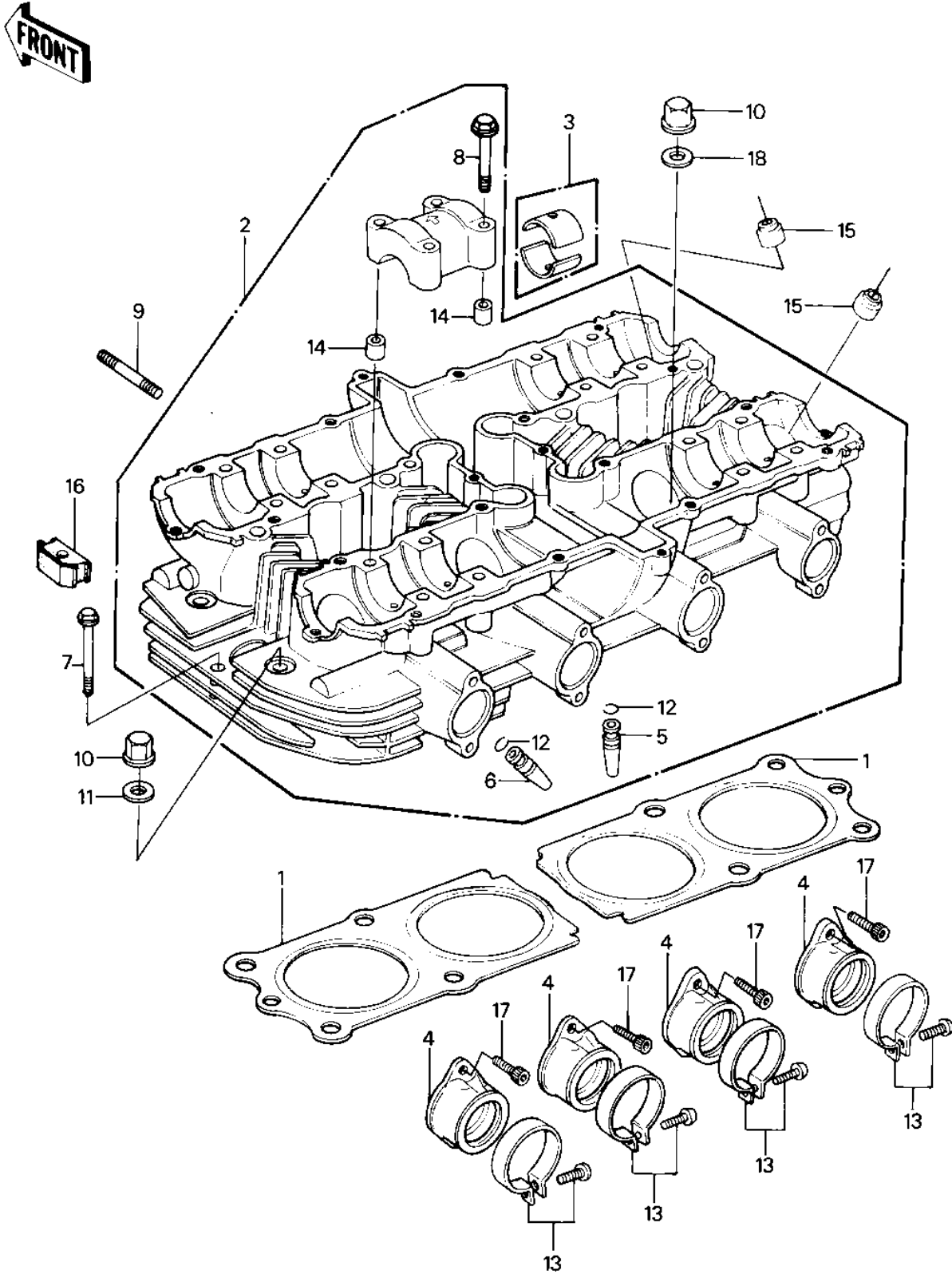


1984 Police 1000 PARTS DIAGRAM

CYLINDER HEAD

E1111-0030



1984 Police 1000 PARTS LIST

CYLINDER HEAD

ITEM NAME	PART NUMBER	QUANTITY
GASKET-HEAD (Ref # 1)	11004-1222	
HEAD-COMP-CYLINDER,WH (Ref # 2)	11008-1013	
HEAD-COMP-CYLINDER,SI (Ref # 2)	11008-1068	
BUSHING,CAMSHAFT (Ref # 3)	13034-030	
HOLDER-CARBURETOR (Ref # 4)	16065-1135	
HOLDER-CARBURETOR (Ref # 4)	16065-1135	
GUIDE,INLET VALVE (Ref # 5)	12013-009	
GUIDE,EXHAUST VALVE (Ref # 6)	49002-1002	
BOLT,HEX HEAD,6X45 (Ref # 7)	92003-092	
BOLT,6X43 (Ref # 8)	92002-1881	
BOLT,6X45 (Ref # 8)	92002-1300	
STUD,8X30 (Ref # 9)	92004-1069	
STUD,8X30 (Ref # 9)	92004-1121	
NUT,CYLINDER HEAD (Ref # 10)	92015-076	
WASHER,10.5X22X1.6 (Ref # 11)	92022-1005	
CIRCLIP-VALVE (Ref # 12)	92036-023	
CLAMP,53M/M (Ref # 13)	92037-201	
CLAMP,ID=53,BLACK (Ref # 13)	92037-1304	
PIN-DOWEL (Ref # 14)	92042-007	
OIL SEAL,RV37129.5 (Ref # 15)	92049-016	
PLUG,CYLNDR HD COVER (Ref # 16)	92066-1106	
PLUG,CYLNDR HD COVER (Ref # 16)	92066-1106	
BOLT-SOCKET,6X16,BLAC (Ref # 17)	120S0616	
BOLT,6X16 (Ref # 17)	92002-1143	
WASHER PLAIN 10MM (Ref # 18)	411B1000	