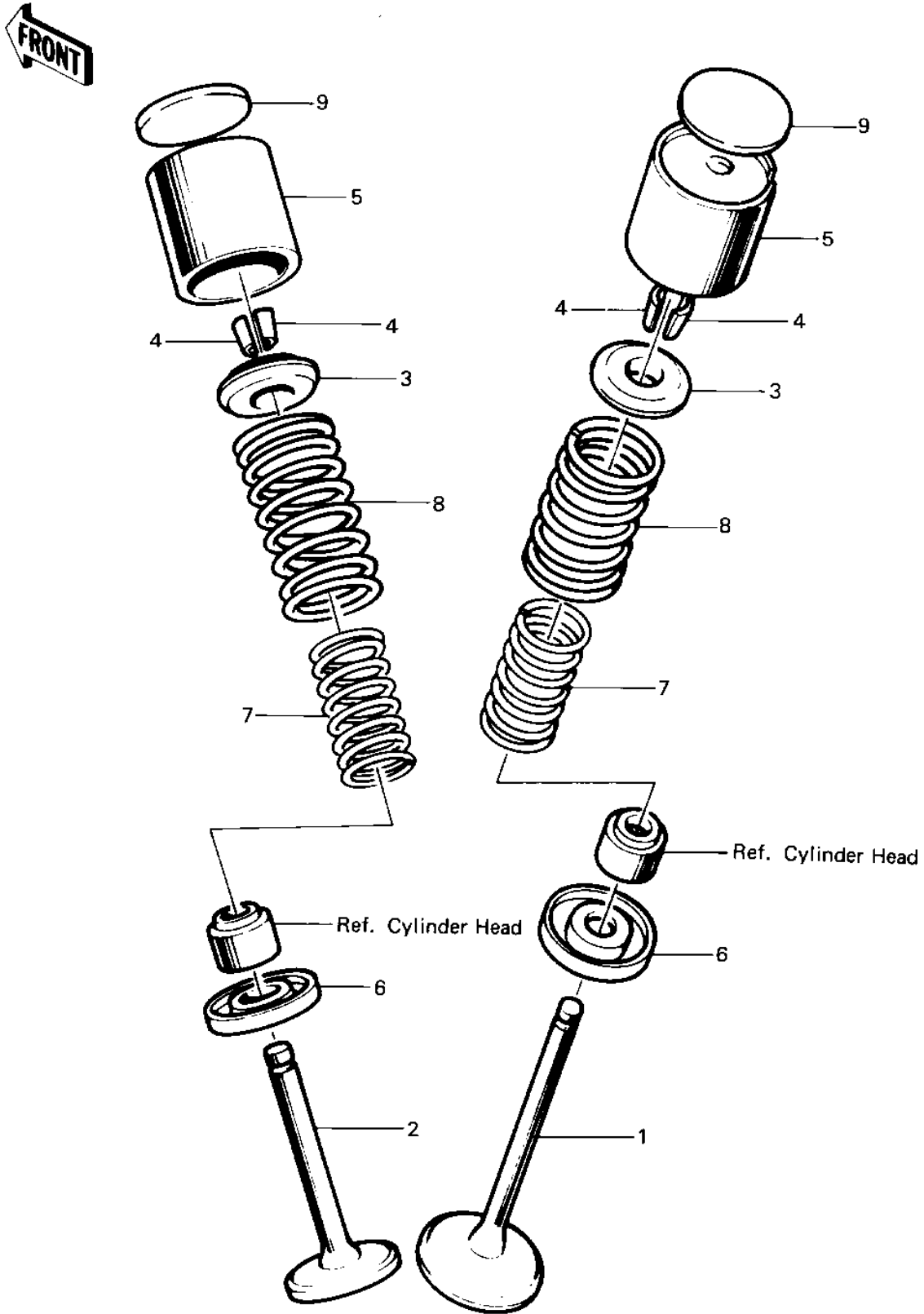


1982 Police 1000 PARTS DIAGRAM

VALVES



1982 Police 1000 PARTS LIST

VALVES

ITEM NAME	PART NUMBER	QUANTITY
VALVE INTAKE (Ref # 1)	12004-1013	4
VALVE EXHAUST (Ref # 2)	12005-1011	4
RETAINER,VALVE SPRING (Ref # 3)	12009-005	8
SPLIT KEEPER (Ref # 4)	12011-004	16
TAPPET (Ref # 5)	12032-1002	8
SEAT-SPRING,VALVE (Ref # 6)	16007-1024	8
SPRING,VALVE,INNER (Ref # 7)	49078-1001	8
SPRING,VALVE,OUTER (Ref # 8)	49078-1002	8
SHIM,TAPPET,2.00T (Ref # 9)	12037-001	AR
SHIM,TAPPET,2.05T (Ref # 9)	12037-002	AR
SHIM,TAPPET,2.10T (Ref # 9)	12037-003	AR
SHIM,TAPPET,2.15T (Ref # 9)	12037-004	AR
SHIM,TAPPET,2.20T (Ref # 9)	12037-005	AR
SHIM,TAPPET,2.25T (Ref # 9)	12037-006	AR
SHIM,TAPPET,2.25T (Ref # 9)	12037-006	AR
SHIM,TAPPET,2.30T (Ref # 9)	12037-007	AR
SHIM,TAPPET,2.35T (Ref # 9)	12037-008	AR
SHIM,TAPPET,2.40T (Ref # 9)	12037-009	AR
SHIM,TAPPET,2.45T (Ref # 9)	12037-010	AR
SHIM,TAPPET,2.50T (Ref # 9)	12037-011	AR
SHIM,TAPPET,2.55T (Ref # 9)	12037-012	AR
SHIM,TAPPET,2.60T (Ref # 9)	12037-013	AR
SHIM,TAPPET,2.65T (Ref # 9)	12037-014	AR
SHIM,TAPPET,2.70T (Ref # 9)	12037-015	AR
SHIM,TAPPET,2.75T (Ref # 9)	12037-016	AR
SHIM,TAPPET,2.80T (Ref # 9)	12037-017	AR
SHIM,TAPPET,2.85T (Ref # 9)	12037-018	AR
SHIM,TAPPET,2.90T (Ref # 9)	12037-019	AR
SHIM,TAPPET,2.95T (Ref # 9)	12037-020	AR

1982 Police 1000 PARTS LIST

VALVES

ITEM NAME	PART NUMBER	QUANTITY
SHIM,TAPPET,3.00T (Ref # 9)	12037-021	AR
SHIM,TAPPET,3.05T (Ref # 9)	12037-022	AR
SHIM,TAPPET,3.10T (Ref # 9)	12037-023	AR
SHIM,TAPPET,3.15T (Ref # 9)	12037-024	AR
SHIM,TAPPET 3.20T (Ref # 9)	12037-025	AR