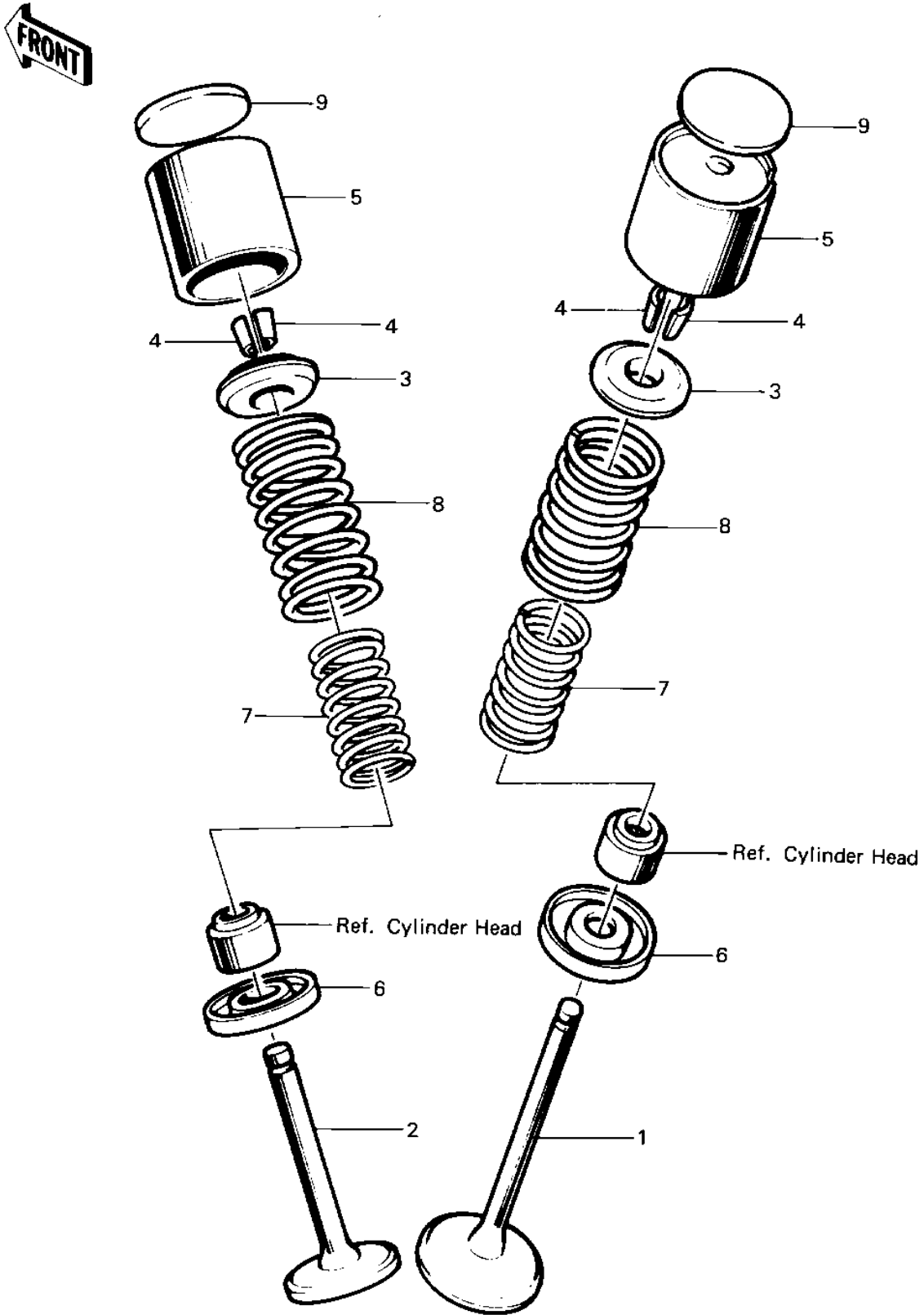


# 1984 Police 1000 PARTS DIAGRAM

## VALVES



# 1984 Police 1000 PARTS LIST

## VALVES

| ITEM NAME                       | PART NUMBER | QUANTITY |
|---------------------------------|-------------|----------|
| VALVE INTAKE (Ref # 1)          | 12004-1013  |          |
| VALVE EXHAUST (Ref # 2)         | 12005-1011  |          |
| RETAINER,VALVE SPRING (Ref # 3) | 12009-005   |          |
| SPLIT KEEPER (Ref # 4)          | 12011-004   |          |
| TAPPET (Ref # 5)                | 12032-1002  |          |
| SEAT-SPRING,VALVE (Ref # 6)     | 16007-1024  |          |
| SPRING,VALVE,INNER (Ref # 7)    | 49078-1001  |          |
| SPRING,VALVE,OUTER (Ref # 8)    | 49078-1002  |          |
| SHIM,TAPPET,2.00T (Ref # 9)     | 12037-001   |          |
| SHIM,TAPPET,2.05T (Ref # 9)     | 12037-002   |          |
| SHIM,TAPPET,2.10T (Ref # 9)     | 12037-003   |          |
| SHIM,TAPPET,2.15T (Ref # 9)     | 12037-004   |          |
| SHIM,TAPPET,2.20T (Ref # 9)     | 12037-005   |          |
| SHIM,TAPPET,2.25T (Ref # 9)     | 12037-006   |          |
| SHIM,TAPPET,2.25T (Ref # 9)     | 12037-006   |          |
| SHIM,TAPPET,2.30T (Ref # 9)     | 12037-007   |          |
| SHIM,TAPPET,2.35T (Ref # 9)     | 12037-008   |          |
| SHIM,TAPPET,2.40T (Ref # 9)     | 12037-009   |          |
| SHIM,TAPPET,2.45T (Ref # 9)     | 12037-010   |          |
| SHIM,TAPPET,2.50T (Ref # 9)     | 12037-011   |          |
| SHIM,TAPPET,2.55T (Ref # 9)     | 12037-012   |          |
| SHIM,TAPPET,2.60T (Ref # 9)     | 12037-013   |          |
| SHIM,TAPPET,2.65T (Ref # 9)     | 12037-014   |          |
| SHIM,TAPPET,2.70T (Ref # 9)     | 12037-015   |          |
| SHIM,TAPPET,2.75T (Ref # 9)     | 12037-016   |          |
| SHIM,TAPPET,2.80T (Ref # 9)     | 12037-017   |          |
| SHIM,TAPPET,2.85T (Ref # 9)     | 12037-018   |          |
| SHIM,TAPPET,2.90T (Ref # 9)     | 12037-019   |          |
| SHIM,TAPPET,2.95T (Ref # 9)     | 12037-020   |          |

# 1984 Police 1000 PARTS LIST

## VALVES

| ITEM NAME                   | PART NUMBER | QUANTITY |
|-----------------------------|-------------|----------|
| SHIM,TAPPET,3.00T (Ref # 9) | 12037-021   |          |
| SHIM,TAPPET,3.05T (Ref # 9) | 12037-022   |          |
| SHIM,TAPPET,3.10T (Ref # 9) | 12037-023   |          |
| SHIM,TAPPET,3.15T (Ref # 9) | 12037-024   |          |
| SHIM,TAPPET 3.20T (Ref # 9) | 12037-025   |          |