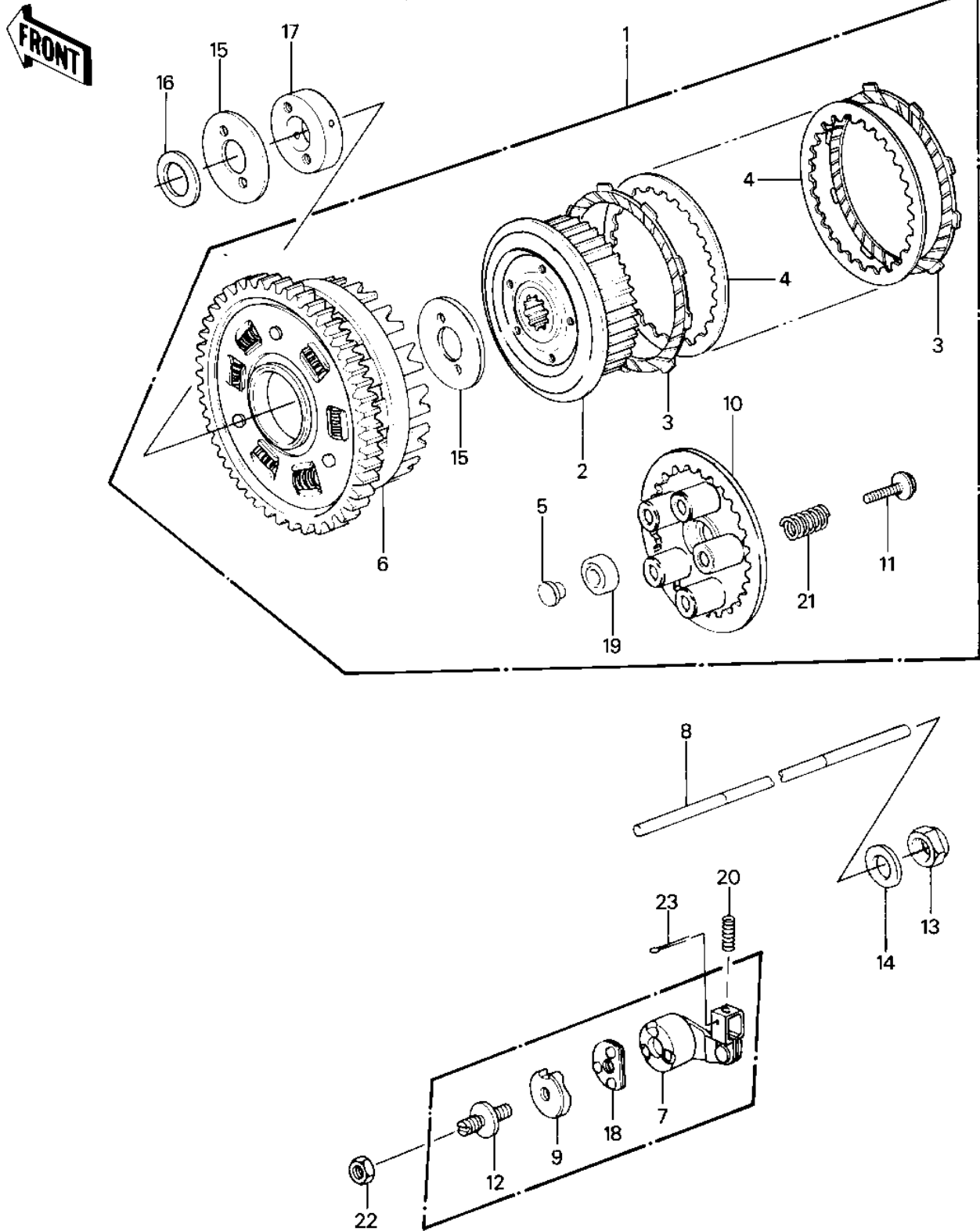


# 1984 Police 1000 PARTS DIAGRAM

CLUTCH

E1350-0022



# 1984 Police 1000 PARTS LIST

## CLUTCH

ITEM NAME	PART NUMBER	QUANTITY
CLUTCH-ASSY (Ref # 1)	13081-1057	
HUB-CLUTCH (Ref # 2)	13087-1015	
PLATE-FRICTION (Ref # 3)	13088-1013	
PLATE,CLUTCH,STEEL (Ref # 4)	13089-1004	
HOLDER (Ref # 5)	13091-1085	
HOUSING-COMP-CLUTCH (Ref # 6)	13095-1037	
RELEASE-COMP-CLUTCH (Ref # 7)	13102-1012	
ROD-PUSH (Ref # 8)	13116-1033	
CAM,RELEASE,CLUTCH (Ref # 9)	13119-1003	
PLATE-CLUTCH OPERATIN (Ref # 10)	13187-1006	
BOLT,CLUTCH SPR FITT (Ref # 11)	92001-1066	
SCREW,SLOTTED,8M/M (Ref # 12)	92009-1009	
NUT,20MM (Ref # 13)	92015-1555	
NUT,20MM (Ref # 13)	92015-1555	
WASHER,PLAIN,2.3X20.3 (Ref # 14)	92022-1116	
WASHER,CLUTCH THRUST (Ref # 15)	92022-1221	
WASHER (Ref # 16)	92022-1223	
COLLAR (Ref # 17)	92027-1284	
BEARING,BALL,CLUTCH (Ref # 18)	92045-1001	
BEARING-BALL (Ref # 19)	92045-1235	
BEARING-BALL (Ref # 19)	92045-1235	
SPRING-CLUTCH RELEASE (Ref # 20)	92081-069	
SPRING,CLUTCH (Ref # 21)	92081-1033	
NUT 8MM (Ref # 22)	318B0800	
PIN COTTER 1.6X15 (Ref # 23)	550D1615	