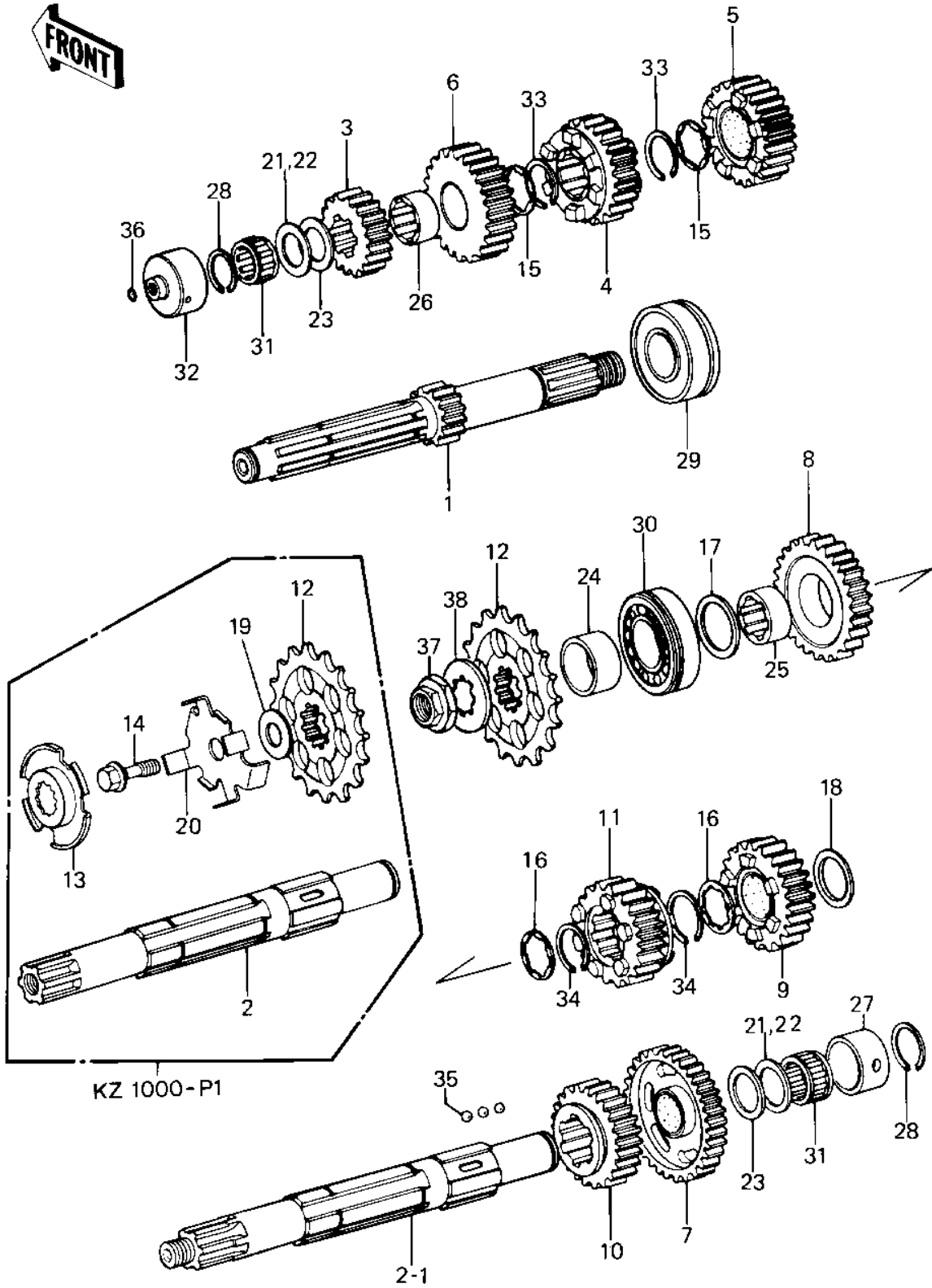


1984 Police 1000 PARTS DIAGRAM

TRANSMISSION

E1361-0101



1984 Police 1000 PARTS LIST

TRANSMISSION

ITEM NAME	PART NUMBER	QUANTITY
SHAFT-TRANSMISSION IN (Ref # 1)	13127-1034	
SHAFT-TRANSMISSION OU (Ref # 2)	13128-1030	
SHAFT-TRANSMISSION OU (Ref # 2.1)	13128-1048	
INPUT 2ND,18T (Ref # 3)	13129-1235	
INPUT 3RD,21T (Ref # 4)	13129-1236	
INPUT 4TH,23T (Ref # 5)	13129-1237	
INPUT TOP,25T (Ref # 6)	13129-1238	
OUTPUT LOW,37T (Ref # 7)	13129-1239	
OUTPUT 2ND,33T (Ref # 8)	13129-1240	
OUTPUT 3RD,30T (Ref # 9)	13129-1241	
OUTPUT 4TH,27T (Ref # 10)	13129-1242	
OUTPUT TOP,26T (Ref # 11)	13129-1243	
SPROCKET-OUTPUT,15T (Ref # 12)	13144-1042	
STOPPER,ENGN SPROCKET (Ref # 13)	32085-1101	
BOLT,FLANGED,10X39 (Ref # 14)	92001-1479	
WASHER,LOCK (O.D=35) (Ref # 15)	92022-1077	
WASHER,LOCK,30X42X1.4 (Ref # 16)	92022-1218	
WASHER,28.3X42X2.9 (Ref # 17)	92022-1219	
WASHER,32.3X42X3 (Ref # 18)	92022-1220	
WASHER,12.3X38X2.3 (Ref # 19)	92022-1274	
WASHER,SPRCKT STOPPER (Ref # 20)	92022-1351	
WASHER,PLAIN,22MM (Ref # 21)	92022-212	
WASHER,PLAIN,22MM (Ref # 22)	92022-213	
SPACER (I.D=22 O.D=35 (Ref # 23)	92026-1020	
COLLAR (Ref # 24)	92027-1339	
BUSHING,2ND GEAR (Ref # 25)	92028-1112	
BUSHING,TOP GEAR (Ref # 26)	92028-1124	
BUSH,OUTPUT SHAFT (Ref # 27)	92028-123	
CIRCLIP,25MM (Ref # 28)	92033-025	

1984 Police 1000 PARTS LIST

TRANSMISSION

ITEM NAME	PART NUMBER	QUANTITY
BEARING,BALL,5305NSH2 (Ref # 29)	92045-1028	
BEARING-BALL,63/28NC3 (Ref # 30)	92045-1034	
BEARING,PK223013.8 (Ref # 31)	92046-031	
RACE,DRIVE SHAFT BRNG (Ref # 32)	92048-1012	
CIRCLIP 28MM (Ref # 33)	480J2800	
CIRCRIP-TYPE-C (Ref # 34)	480J3200	
BALL STEEL 3/16' (Ref # 35)	600A0600	
"O" RING,8MM (Ref # 36)	670B1508	
NUT,20MM (Ref # 37)	92015-1210	
WASHER (Ref # 38)	92200-1060	