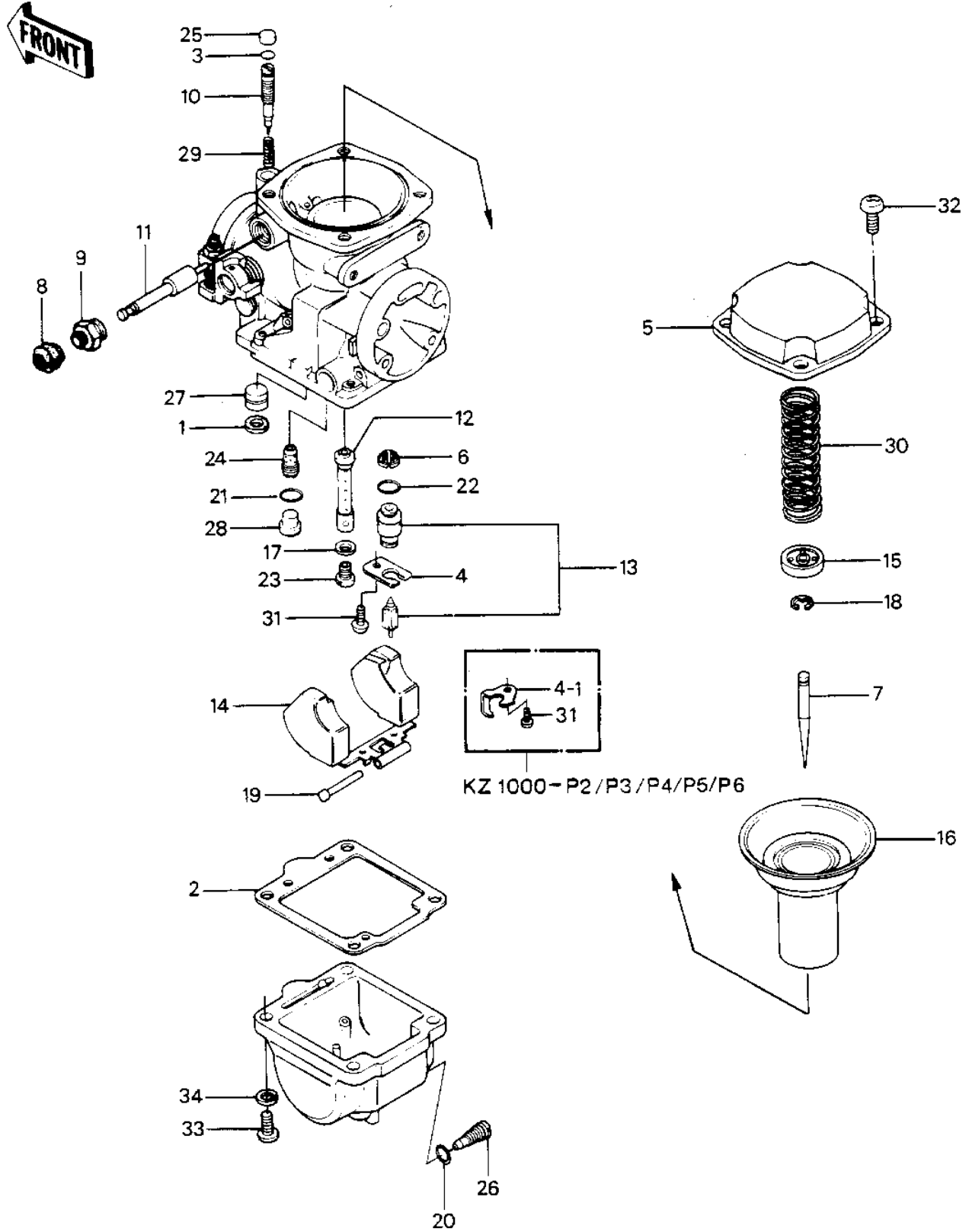


1985 Police 1000 PARTS DIAGRAM

CARBURETOR PARTS



1985 Police 1000 PARTS LIST

CARBURETOR PARTS

ITEM NAME	PART NUMBER	QUANTITY
GASKET,CARB. PLUG (Ref # 1)	11009-1240	
GASKET,FLOAT CHAMBER (Ref # 2)	11009-1241	
"O" RING (Ref # 3)	16038-022	
PLATE, LOCK (Ref # 4)	13169-1190	
PLATE (Ref # 4-1)	13169-1482	
TOP-CHAMBER,MIXING (Ref # 5)	14025-1359	
COVER (Ref # 5)	14025-1395	
FILTER,FLOAT VALVE (Ref # 6)	14043-1010	
NEEDLE-JET (Ref # 7)	16009-1085	
NEEDLE-JET,5GN45 (Ref # 7)	16009-1285	
CAP-STARTER PLUNGER (Ref # 8)	16012-1010	
CAP-STARTER PLUNGER (Ref # 9)	16012-1011	
SCREW-PILOT AIR (Ref # 10)	16014-1014	
PLUNGER (Ref # 11)	16016-1019	
JET-NEEDLE (Ref # 12)	16017-1086	
VALVE-FLOAT (Ref # 13)	16030-1016	
FLOAT (Ref # 14)	16031-1013	
PLATE,NEEDLE (Ref # 15)	16055-010	
DIAPHRAGM,VALVE (Ref # 16)	43028-1025	
VALVE,DIAPHRAGM (Ref # 16)	16126-1055	
VALVE,DIAPHRAGM (Ref # 16)	16126-1149	
WASHER MAIN JET (Ref # 17)	16034-001	
CIRCLIP (Ref # 18)	16008-014	
PIN,FLOAT (Ref # 19)	16032-008	
"O" RING (Ref # 20)	92055-044	
"O" RING,CHECK VALVE (Ref # 21)	92055-1059	
"O" RING (Ref # 22)	92055-1105	
JET-MAIN,#A122.5 (Ref # 23)	92063-1101	
JET-MAIN,#A127.5 (Ref # 23)	92063-1100	

1985 Police 1000 PARTS LIST

CARBURETOR PARTS

ITEM NAME	PART NUMBER	QUANTITY
JET-MAIN,#117.5 (Ref # 23)	92063-1107	
JET-MAIN,#A120 (Ref # 23)	92063-1106	
JET-MAIN,#A125 (Ref # 23)	92063-1102	
JET-MAIN,#A130 (Ref # 23)	92063-1103	
JET-MAIN,#A132.5 (Ref # 23)	92063-1104	
JET-PILOT,#A37.5 (Ref # 24)	92064-1036	
PLUG,PILOT SCREW (Ref # 25)	92066-1051	
SCREW,DRAIN (Ref # 26)	92066-1064	
PLUG,CARBURETOR (Ref # 27)	92066-1086	
PLUG,PILOT JET (Ref # 28)	92066-1087	
SPRING,PILOT SCREW (Ref # 29)	16022-016	
SPRING,DPHRGM VALVE (Ref # 30)	92081-1363	
SCREW PAN HEAD 4X6 (Ref # 31)	220B0406	
SCREW PAN HEAD 5X10 (Ref # 32)	220B0510	
SCREW PAN HEAD 5X8 (Ref # 32)	220B0508	
SCREW-PAN-CROS (Ref # 33)	220B0514	
WASHER SPRING 5MM (Ref # 34)	461F0500	
SCREW-PAN-WS-CROS (Ref # 35)	223B0518	