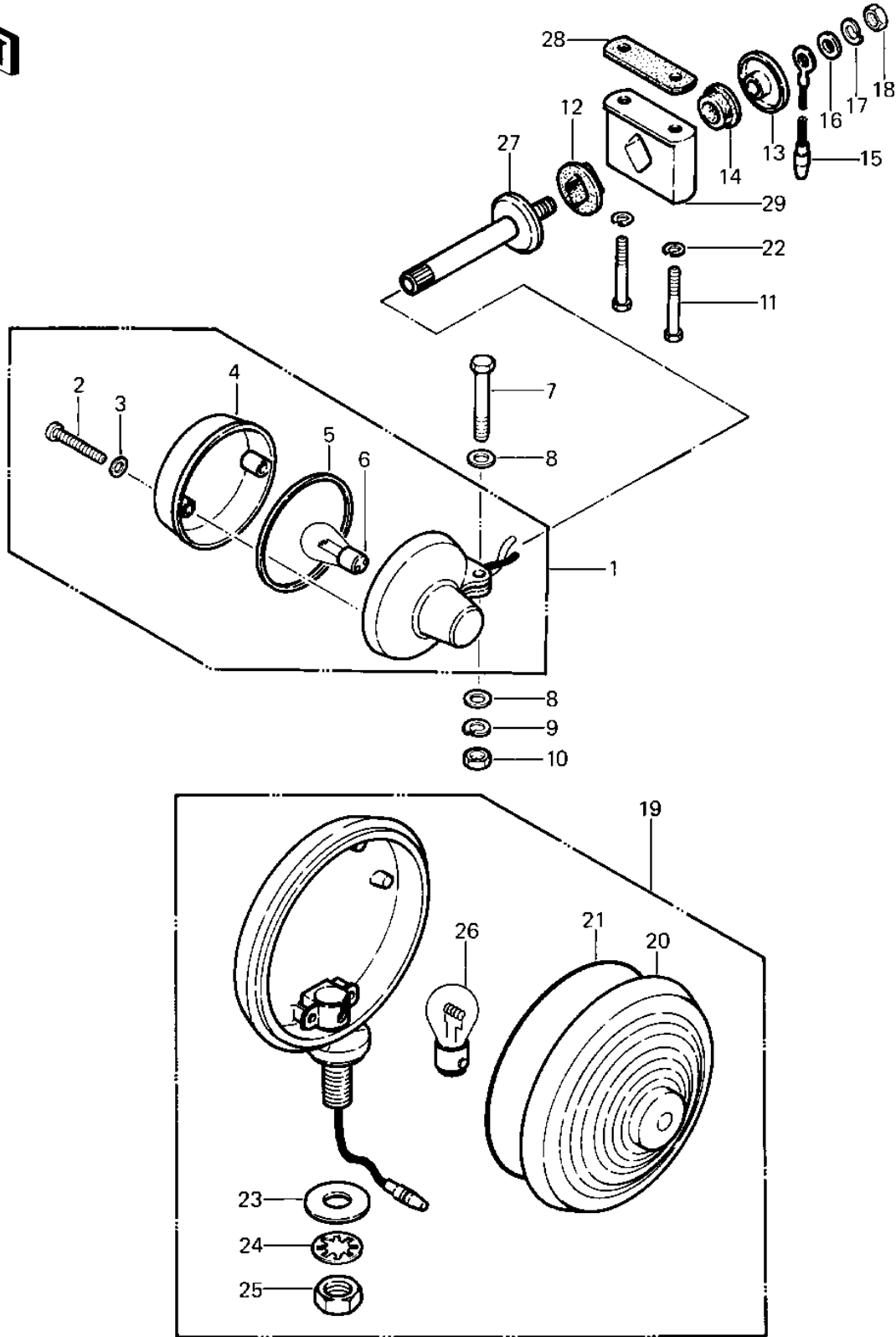


1984 Police 1000 PARTS DIAGRAM

TURN SIGNALS



1984 Police 1000 PARTS LIST

TURN SIGNALS

ITEM NAME	PART NUMBER	QUANTITY
LIGHT ASSY,TRN SG,R.H (Ref # 1)	23040-1005	
LIGHT ASSY,TRN,SG,L.H (Ref # 1)	23040-1006	
UNAVAILABLE IN PRICE BOOK (Ref # 2)	220E0435	
SCREW-PAN-CROS (Ref # 2)	220R0435	
WASHER-PLAIN,4MM (Ref # 3)	23058-002	
LENS-SIGNAL LAMP (Ref # 4)	23048-1024	
GASKET,TURN SIG LAMP (Ref # 5)	23050-002	
BULB,12V 23/8W (Ref # 6)	92069-060	
BOLT-UPSET (Ref # 7)	112G0630	
BOLT,6X30,CR PLATED (Ref # 7)	92001-1746	
WASHER PLAIN 6MM (Ref # 8)	411B0600	
WASHER SPRING 6MM (Ref # 9)	461F0600	
NUT 6MM (Ref # 10)	311B0600	
NUT-6MM (Ref # 10)	92015-1078	
BOLT-SMALL-UPSET,8X55 (Ref # 11)	115G0855	
BOLT-SMALL-UPSET,8X55 (Ref # 11)	115G0855	
DAMPER,TURN SIG FITT (Ref # 12)	92075-1014	
COLLAR,TURN SIG FITT (Ref # 13)	92027-1025	
DAMPER RUBBER,SIG LM (Ref # 14)	92075-158	
WIRE,LEAD (Ref # 15)	26011-095	
WASHER PLAIN 10MM (Ref # 16)	411B1000	
WASHER SPRING 10MM (Ref # 17)	461F1000	
NUT 10MM (Ref # 18)	315B1000	
LAMP ASSY, TURN, REAR (Ref # 19)	23040-055	
LENS,REAR TURN SIGNAL (Ref # 20)	23048-018	
LENS,RED REAR TS OPT (Ref # 20)	23048-019	
LENS,BLUE REAR TS OPT (Ref # 20)	23048-020	
"O" RING,REAR TURN SL (Ref # 21)	92055-103	
WASHER SPRING 8MM (Ref # 22)	461F0800	

1984 Police 1000 PARTS LIST

TURN SIGNALS

ITEM NAME	PART NUMBER	QUANTITY
GASKET OIL PIPE BANJO (Ref # 23)	92065-037	
WASHER LOCK 12MM (Ref # 24)	464G1200	
NUT (Ref # 25)	340BA1600	
BULB 12V 32CP (Ref # 26)	92069-055	
BRACKET,TURN SIGNAL (Ref # 27)	23051-1014	
DAMPER (Ref # 28)	92075-4022	
BRACKET-SIGNAL LAMP (Ref # 29)	23051-4002	