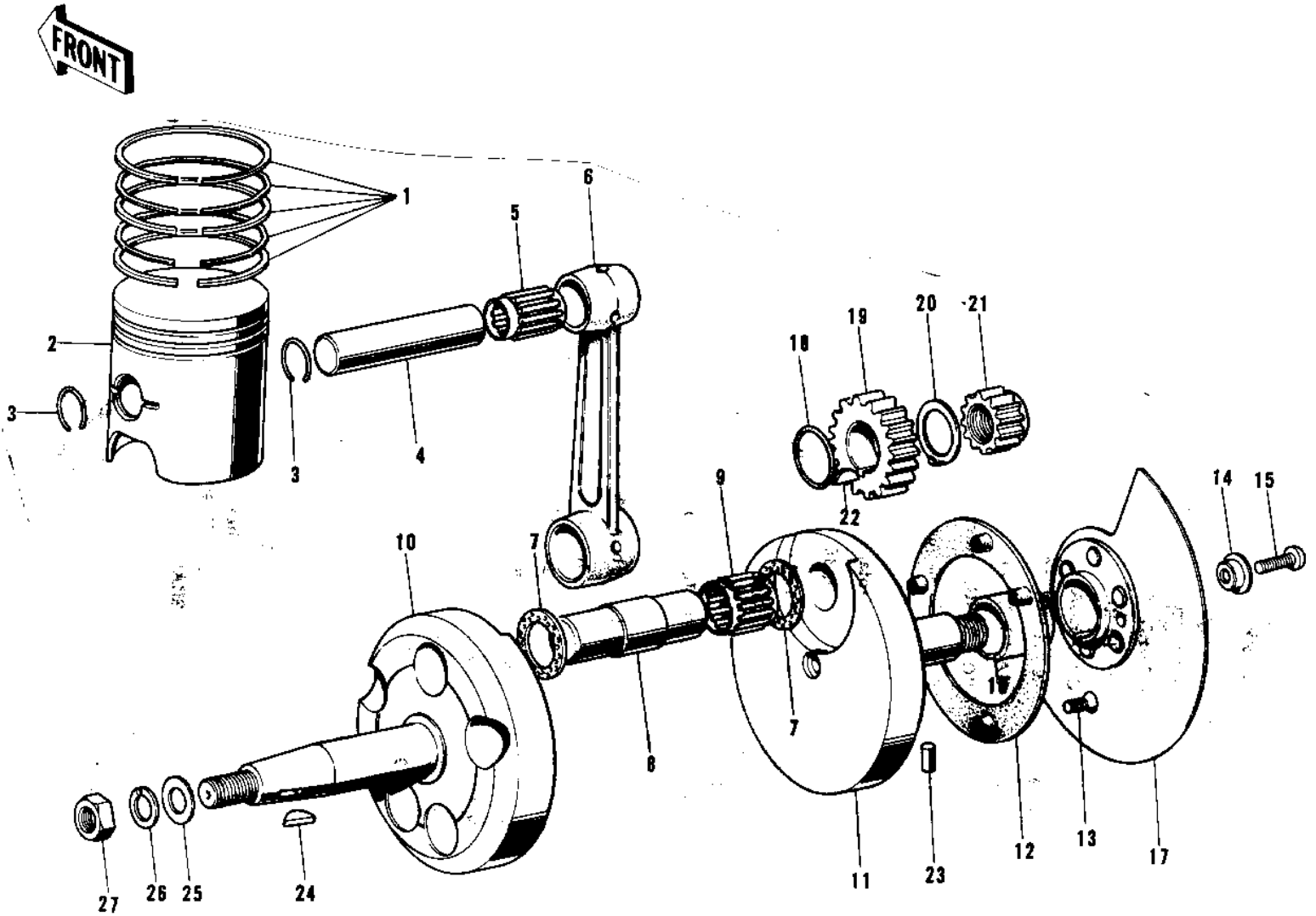


1975 F9-C PARTS DIAGRAM

CRANKSHAFT/PISTON/ROTARY VALVE ('72-'73)



1975 F9-C PARTS LIST

CRANKSHAFT/PISTON/ROTARY VALVE ('72-'73)

ITEM NAME	PART NUMBER	QUANTITY
RING SET,STD (Ref # 1)	13008-024	
RING SET,0.020" O.S (Ref # 1)	13025-027	
RING SET,0.040" O.S (Ref # 1)	13024-031	
PISTON,STD (Ref # 2)	13001-039	
PISTON,0.020" O.S (Ref # 2)	13029-040	
PISTON,0.040" O.S (Ref # 2)	13027-039	
CIRCLIP-PISTON PIN (Ref # 3)	92036-015	
PIN-PISTON (Ref # 4)	13002-016	
BEARING-SMALL END (Ref # 5)	13033-1010	
CONNECTING ROD SET (Ref # 6~9)	13044-017	
CRANK&CONROD ASSY (Ref # 6~13)	13036-036	
WASHER-CONROD SIDE (Ref # 7)	92026-069	
CRANK PIN (Ref # 8)	13035-026	
NEEDLE BRG-BIG END (Ref # 9)	13034-032	
NEEDLE BRG-BIG END (Ref # 9)	13034-032	
CRANKSHAFT,L.H (Ref # 10)	13037-045	
CRANKSHAFT,R.H (Ref # 11)	13038-045	
HOLDER-CRANKSHAFT OI (Ref # 12)	13045-006	
SCREW OVL CNTSNK 5X1 (Ref # 13)	92012-002	
SPACER-R.H CRANKSHAF (Ref # 14)	92026-071	
SCREW-PAN HEAD,6X20 (Ref # 15)	92011-025	
CALLAR-CRANKSHAFT (Ref # 16)	92027-097	
VALVE-ROTARY DISC (Ref # 17)	12001-022	
"O" RING,22MM (Ref # 18)	670B3022	
PINION,PRIMARY 24T (Ref # 19)	13121-028	
WASHER-LOCK,18MM (Ref # 20)	92024-029	
PINION-OIL PUMP (Ref # 21)	16084-011	
WOODRUFF KEY (Ref # 22)	510A5100	
PIN DOWEL 4X12 (Ref # 23)	610A0412	

1975 F9-C PARTS LIST

CRANKSHAFT/PISTON/ROTARY VALVE ('72-'73)

ITEM NAME	PART NUMBER	QUANTITY
WOODRUFF KEY (Ref # 24)	92038-001	
WASHER-PLAIN,14MM (Ref # 25)	92022-172	
WASHER SPRING 14MM (Ref # 26)	461F1400	
NUT 14MM (Ref # 27)	92015-043	