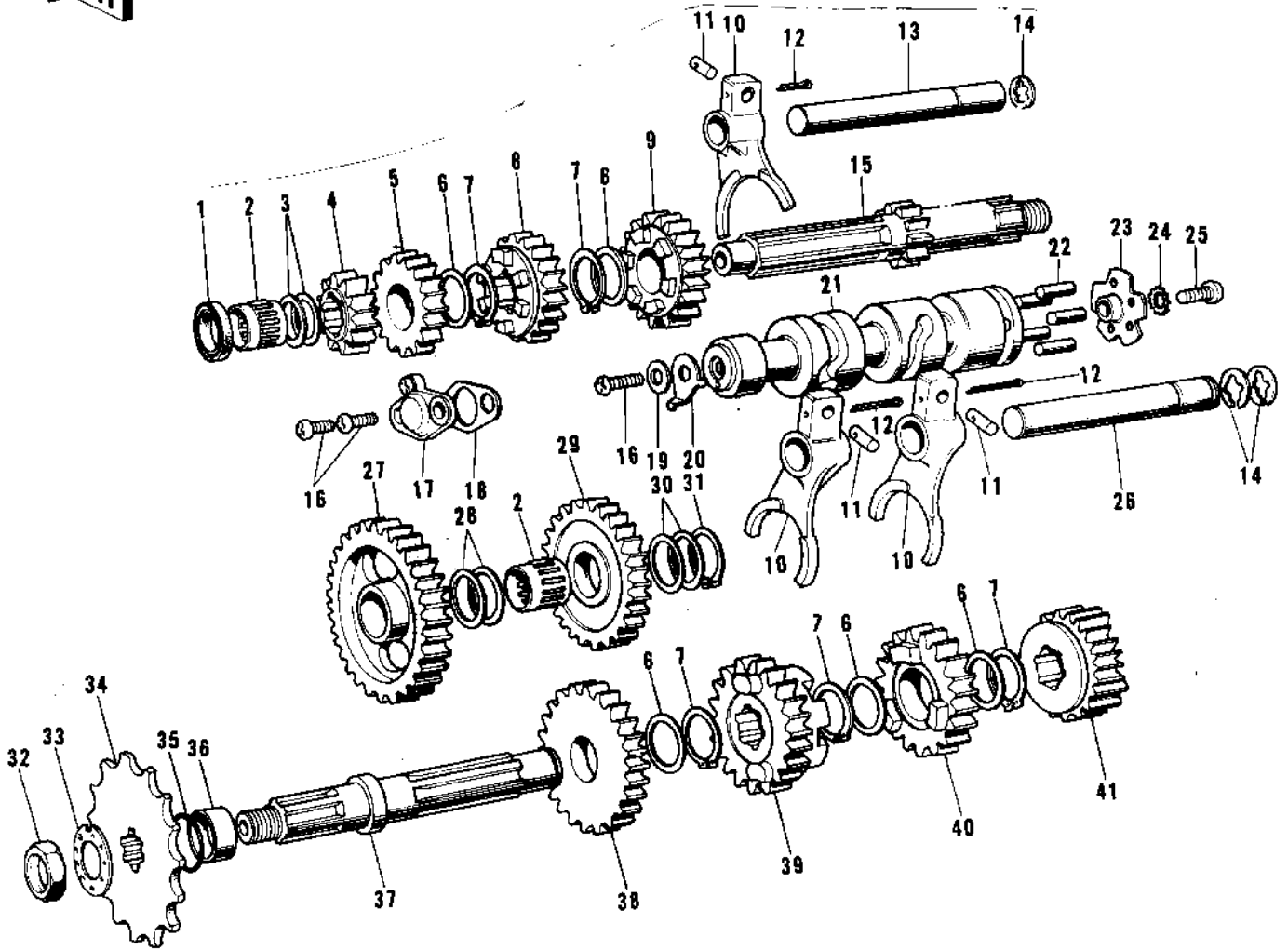


# 1974 F9-B PARTS DIAGRAM

TRANSMISSION



# 1974 F9-B PARTS LIST

## TRANSMISSION

ITEM NAME	PART NUMBER	QUANTITY
OIL SEAL-CLTH PSH RO (Ref # 1)	92050-034	
BEARING-NEEDLE (Ref # 2)	92046-025	
WASHER THRUST (Ref # 3)	92022-112	
WASHER,THRUST (Ref # 3)	92022-223	
2ND GEAR-DRIVE SHAFT (Ref # 4)	13130-021	
4TH GEAR-DRIVE SHAFT (Ref # 5)	13134-005	
WASHER 25MM (Ref # 6)	92022-076	
WASHER,THRUST (Ref # 6)	92022-224	
CIRCLIP (Ref # 7)	92033-026	
3RD GEAR-DRIVE SHAFT (Ref # 8)	13132-020	
TOP GEAR,DRIVE SHAFT (Ref # 9)	13136-047	
FORK-SELECTOR (Ref # 10)	13140-052	
FORK-SELECTOR (Ref # 10)	13140-052	
PIN SELECT FORK GUID (Ref # 11)	92043-005	
PIN COTTER 3.0X18 (Ref # 12)	550D3018	
ROD-SHIFT (Ref # 13)	13209-009	
CIRCLIP 10MM (Ref # 14)	482J0100	
SHAFT-DRIVE (Ref # 15)	13127-025	
SCREW PAN HEAD 6X16 (Ref # 16)	220B0616	
SWITCH-NEUTRAL INDICATOR (Ref # 17)	13151-004	
GASKET NEUTRAL SWITC (Ref # 18)	13146-002	
WASHER PLAIN 6MM (Ref # 19)	410B0600	
ROTOR,NEUTRAL INDICTATOR (Ref # 20)	21007-1003	
DRUM ASSY-GEAR CHANGE (Ref # 20~25)	13239-006	
DRUM ASSY-GEAR CHANGE (Ref # 21)	13239-006	
PIN-CHANGE DRUM (Ref # 22)	92042-020	
PLATE-CHANGE DRUM PI (Ref # 23)	13142-010	
WASHER LOCK 6MM (Ref # 24)	464H0600	
SCREW CNTSNK HD 6X20 (Ref # 25)	221B0620	

## 1974 F9-B PARTS LIST

### TRANSMISSION

ITEM NAME	PART NUMBER	QUANTITY
ROD-SHIFT (Ref # 26)	13209-010	
LOW GEAR-OUTPUT SHAF (Ref # 27)	13129-042	
WASHER THRUST (Ref # 28)	92022-113	
IDLE GEAR-KICKSTARTE (Ref # 29)	13073-005	
WASHER THRUST (Ref # 30)	92022-112	
SHIM-KICK SHAFT (Ref # 30)	92022-144	
CIRCLIP,19MM (Ref # 31)	480J1900	
NUT 18MM (Ref # 32)	92015-019	
WASHER,LOCK,18MM (Ref # 33)	92024-067	
WASHER,LOCK,18MM (Ref # 33)	92024-067	
ENGINE SPROCKET 14T (Ref # 34)	13144-017	
ENG SPROCKET 13T (OP (Ref # 34)	13144-043	
ENGINE SPROCKET 15T (Ref # 34)	13144-025	
"O" RING (Ref # 35)	92055-035	
COLLAR-ENG SPROKET (Ref # 36)	92027-163	
SHAFT-OUTPUT (Ref # 37)	13128-027	
2ND GEAR-OUTPUT SHAF (Ref # 38)	13131-024	
4TH GEAR-OUTPUT SHAF (Ref # 39)	13135-009	
3RD GEAR-OUTPUT SHAF (Ref # 40)	13133-019	
TOP GEAR-OUTPUT SHAF (Ref # 41)	13137-013	