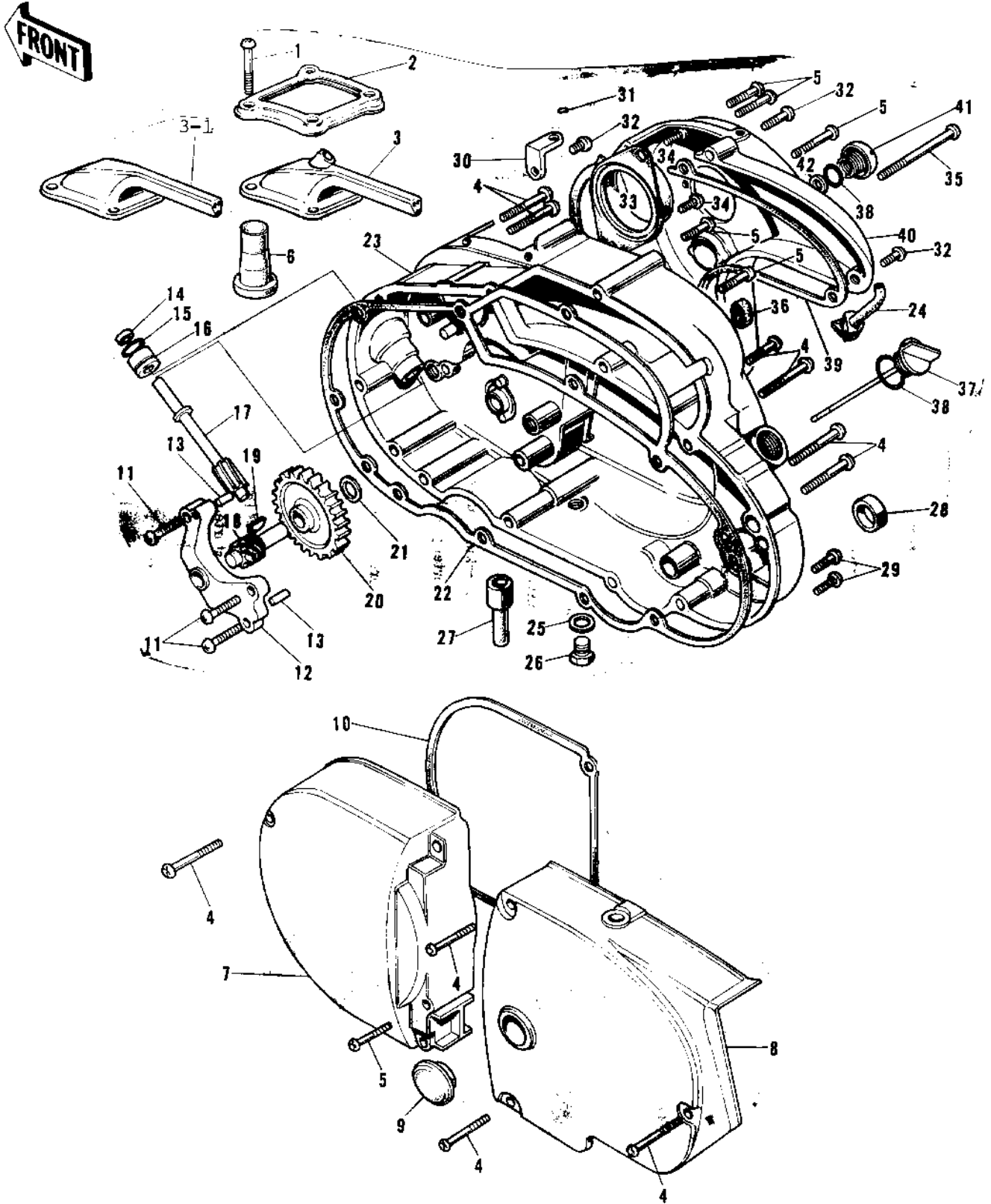


1972 F9 PARTS DIAGRAM

ENGINE COVERS (72-73 F9/F9-A 350)



1972 F9 PARTS LIST

ENGINE COVERS ('72-'73 F9/F9-A 350)

ITEM NAME	PART NUMBER	QUANTITY
SCREW PAN HEAD 5X12 (Ref # 1)	220B0512	4
HOLDER-CARBURETOR CA (Ref # 2)	14065-001	1
CAP,CARBURETOR (Ref # 3)	14038-034	1
CAP,CARBURETOR (Ref # 3-1)	14038-034	1
SCREW PAN HEAD 6X55 (Ref # 4)	220B0655	10
SCREW PAN HEAD 6X35 (Ref # 5)	220B0635	6
RUBBER PLUG-CARB CAP (Ref # 6)	92074-021	1
COVER-LH ENG,BLACK (Ref # 7)	14031-038-21	1
COVER-CHN CASE,BLACK (Ref # 8)	14026-005-21	1
CAP-CLUTCH HOLE (Ref # 9)	14040-003	1
GASKET-L.H ENG COVER (Ref # 10)	14045-008	1
SCREW PAN HEAD 6X25 (Ref # 11)	220B0625	3
HOLDER-TACHOMETER GR (Ref # 12)	14018-004	1
PIN DOWEL 5X12 (Ref # 13)	610A0512	2
OIL SEAL (Ref # 14)	92054-004	1
"O" RING (Ref # 15)	92055-025	1
BUSH (Ref # 16)	92028-075	1
GEAR-TACHOMETER (Ref # 17)	13223-004	1
PINION-TACHOMETER (Ref # 18)	13224-006	1
WOODRUFF KEY (Ref # 19)	510A3100	1
GEAR-OIL PUMP (Ref # 20)	16085-014	1
WASHER THRUST (Ref # 21)	92026-025	1
GASKET-R.H-ENG.CVR (Ref # 22)	14046-020	1
COVER,R.H ENG,F.BLAC (Ref # 23)	14032-090-21	1
GROMMET-OVERFLOW PIP (Ref # 24)	16136-006	1
GASKET CHECK VALVE (Ref # 25)	92065-058	1
PLUG OIL DRAIN (Ref # 26)	92067-001	1
PIPE FUEL OVERFLOW (Ref # 27)	16116-001	1
OIL SEAL SB20285 (Ref # 28)	92049-012	1

1972 F9 PARTS LIST

ENGINE COVERS ('72-'73 F9/F9-A 350)

ITEM NAME	PART NUMBER	QUANTITY
SCREW PAN HEAD 6X30 (Ref # 29)	220B0630	2
HOLDER-OIL PUMP CABL (Ref # 30)	14044-005	1
CIRCLIP (Ref # 31)	92036-017	1
SCREW PAN HEAD 6X20 (Ref # 32)	220B0620	3
HOLDER-CARBURETOR (Ref # 33)	16065-010	1
SCREW PAN HEAD 6X12 (Ref # 34)	220B0612	2
SCREW PAN HEAD 6X70 (Ref # 35)	220B0670	1
STOPPER-CARBURETOR (Ref # 36)	14064-001	1
PLUG-OIL FILLER (Ref # 37)	16115-017	1
"O" RING,20MM (Ref # 38)	670B2020	2
GASKET-CARBURETOR CO (Ref # 39)	14048-002	1
COVER-CARB,F.BLACK (Ref # 40)	14030-034-21	1
PLUG-CARBURETOR COVE (Ref # 41)	92067-006	1
WASHER-RUBBER (Ref # 42)	92094-010	1