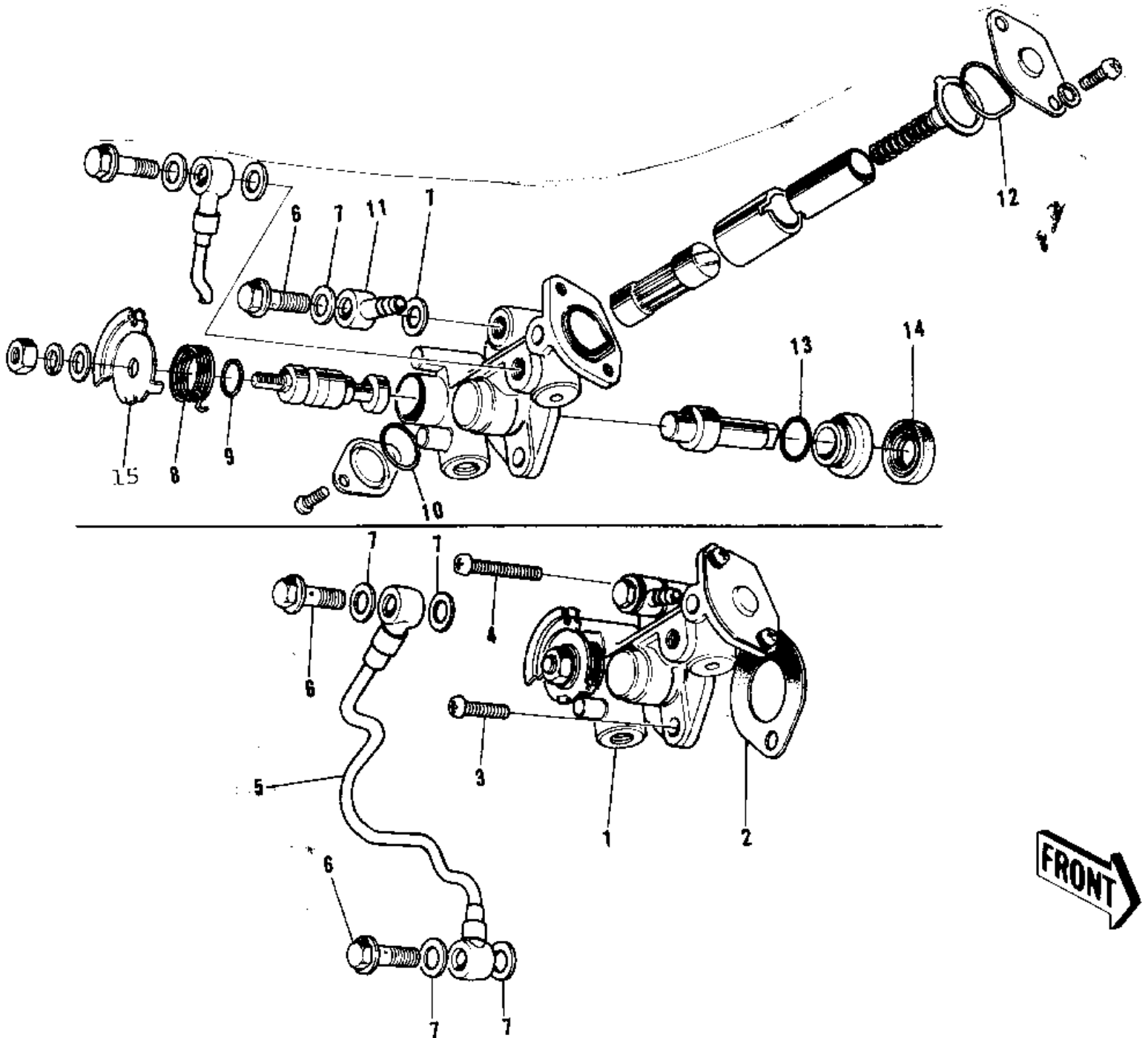


# 1974 F9-B PARTS DIAGRAM

OIL PUMP (72-73 F9/F9-A 350)



## 1974 F9-B PARTS LIST

OIL PUMP ('72-'73 F9/F9-A 350)

ITEM NAME	PART NUMBER	QUANTITY
OIL PUMP ASSY (Ref # 1)	16082-038	
OIL PUMP ASSY (Ref # 1)	16082-038	
OIL PUMP ASSY (Ref # 1)	16082-045	
GASKET,OIL PUMP (Ref # 2)	11060-1160	
SCREW-PAN-CROS (Ref # 3)	220B0514	
SCREW PAN CROSS,5X28 (Ref # 4)	220B0528	
PIPE-OIL (Ref # 5)	16134-010	
BOLT-BANJO,6MM (Ref # 6)	92060-013	
WASHER OIL PUMP BANJ (Ref # 7)	92022-077	
SPRING OIL PUMP LEVE (Ref # 8)	16093-004	
SEAL-OIL,CAMSHAFT,"X (Ref # 9)	92049-1294	
"O" RING,LOWER CAP (Ref # 10)	16090-003	
CONNECTOR BANJO (Ref # 11)	92061-009	
"O" RING,UPPER CAP (Ref # 12)	16088-002	
"O" RING,OIL PUMP SH (Ref # 13)	16090-002	
OIL SEAL OIL PUMP SH (Ref # 14)	16091-001	
LEVER-OIL PUMP CABLE (Ref # 15)	16096-008	