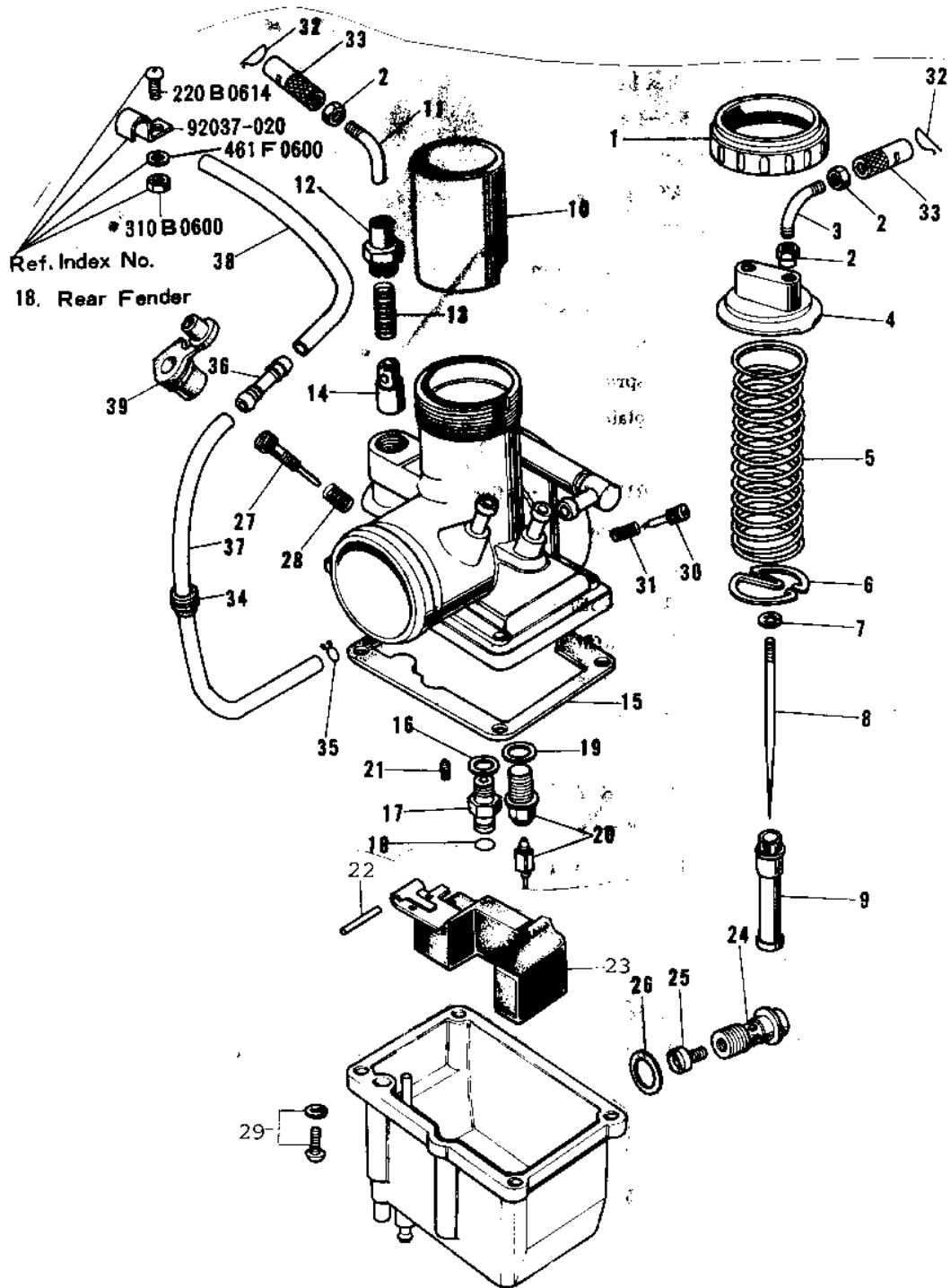


# 1973 F9-A PARTS DIAGRAM

CARBURETOR ('72-'73 F9/F9-A 350)



# 1973 F9-A PARTS LIST

CARBURETOR ('72-'73 F9/F9-A 350)

ITEM NAME	PART NUMBER	QUANTITY
CARBURETOR ASSY (Ref # 1~31)	16001-140	
CARBURETOR ASSY (Ref # 1~31)	16001-161	
CAP MIXING CHAMBER (Ref # 1)	16004-006	
NUT CABLE ADJUST LOC (Ref # 2)	16003-004	
CABLE GUIDE (Ref # 3)	16077-001	
TOP MIXING CHAMBER (Ref # 4)	16005-016	
SPRING THROTTLE VALV (Ref # 5)	16006-007	
SPRING SEAT THRTL VL (Ref # 6)	16007-007	
CIRCLIP (Ref # 7)	16008-010	
JET NEEDLE,5EJ13 (Ref # 8)	16009-048	
NEEDLE JET,O-G (Ref # 9)	16017-057	
VALVE-THROTTLE,CA1.5 (Ref # 10)	16025-045	
VALVE,THROTTLE CA2.0 (Ref # 11)	16025-052	
CAP-STARTER PLUNGER (Ref # 12)	16012-013	
SPRING-PLUNGER (Ref # 13)	16013-003	
PLUNGER-ENRICHNER (Ref # 14)	16016-002	
GASKET-FLOAT CHAMBER (Ref # 15)	16019-017	
WASHER MAIN JET (Ref # 16)	16034-001	
HOLDER-NEEDLE JET (Ref # 17)	16065-008	
"O" RING (Ref # 18)	92055-044	
WASHER FLOAT VLV SEA (Ref # 19)	16029-004	
FLOAT VALVE ASSY (Ref # 20)	16030-005	
PILOT JET,#10 (Ref # 21)	92064-034	
PILOT JET,#17.5 (Ref # 21)	92064-046	
FLOAT PIN (Ref # 22)	16032-006	
FLOAT (Ref # 23)	16031-022	
BOLT-BANJO (Ref # 24)	92001-097	
MAIN JET NO 120R (Ref # 25)	92063-078	
JET-MAIN NO 115R (Ref # 25)	92063-076	

# 1973 F9-A PARTS LIST

CARBURETOR ('72-'73 F9/F9-A 350)

ITEM NAME	PART NUMBER	QUANTITY
JET-MAIN NO 117.5R (Ref # 25)	92063-077	
JET-MAIN,#A122.5 (Ref # 25)	92063-1101	
MAIN JET NO 125R (Ref # 25)	92063-055	
GASKET-BANJO BOLT (Ref # 26)	16034-005	
SCREW-THROTTLE STOP (Ref # 27)	16021-014	
SPRING THR STOP SCRE (Ref # 28)	16022-005	
SCREW-PAN-WS-CROS (Ref # 29)	223B0414	
SCREW-PILOT AIR ADJS (Ref # 30)	16014-011	
SPRING-THR STOP SCRE (Ref # 31)	16022-007	
CIRCLIP (Ref # 32)	92036-018	
CABLE ADJUSTER (Ref # 33)	16002-007	
GROMMET PIPE (Ref # 34)	92071-038	
CLAMP FUEL PIPE (Ref # 35)	92037-010	
NIPPLE (Ref # 36)	92005-003	
PIPE (Ref # 37)	92059-065	
PIPE OIL TANK (Ref # 38)	92059-002	
GROMMET,ACCESS (Ref # 39)	92071-057	