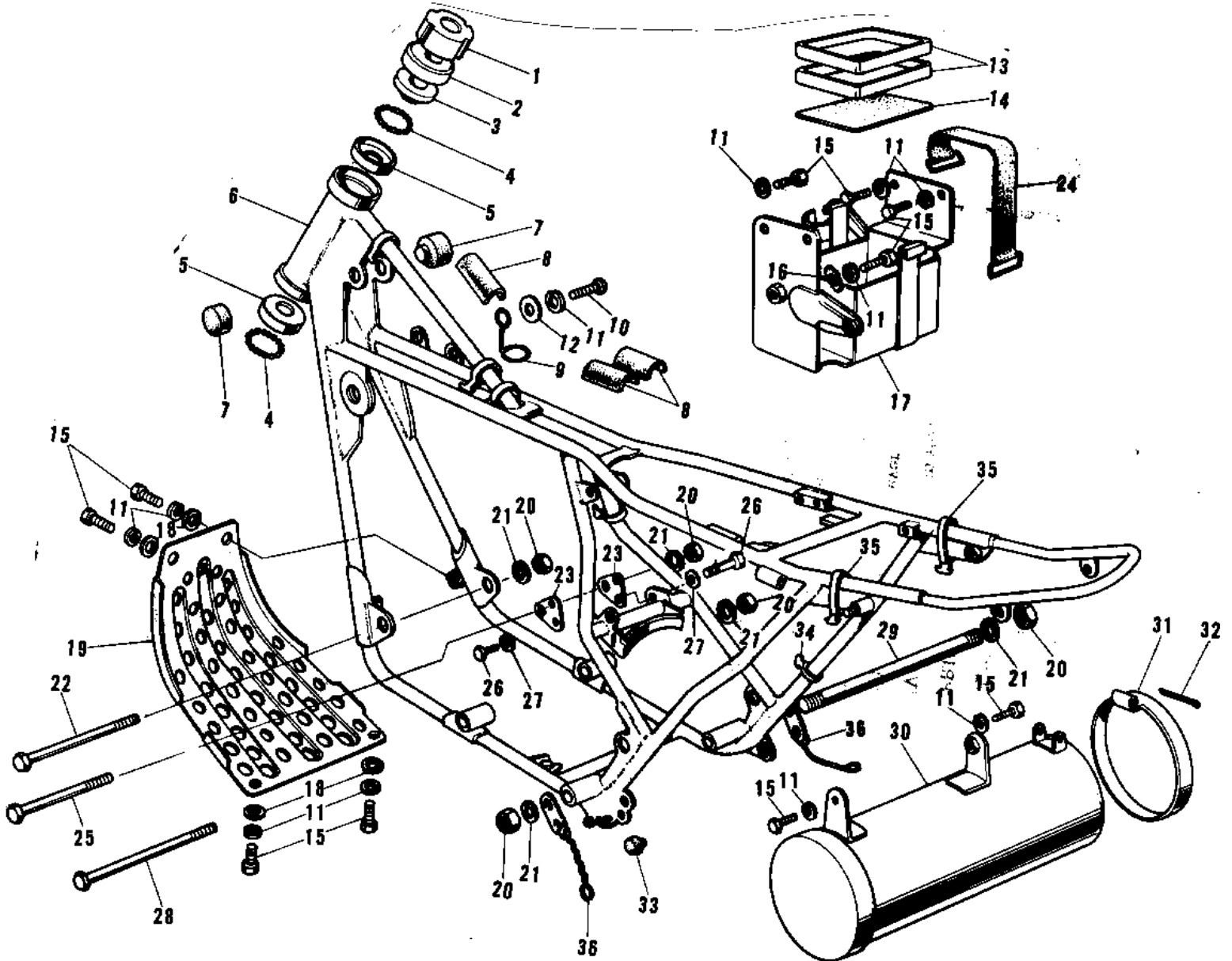


# 1973 F9-A PARTS DIAGRAM

FRAME/FRAME FITTINGS (F9)



# 1973 F9-A PARTS LIST

## FRAME/FRAME FITTINGS (F9)

ITEM NAME	PART NUMBER	QUANTITY
NUT STEERING STEM LC (Ref # 1)	92090-006	
CAP STEERING STEM (Ref # 2)	46098-005	
CONE STERNG BERG UPP (Ref # 3)	92047-003	
BALL STEEL 1/4' (Ref # 4)	600A0800	
RACE STEERING BEARIN (Ref # 5)	92048-005	
FRAME (Ref # 6)	32002-048	
DAMPER RUBB FUEL TAN (Ref # 7)	92075-050	
MAT FUEL TANK (Ref # 8)	51067-002	
CLAMP (Ref # 9)	92037-053	
BOLT,6X10 (Ref # 10)	112G0610	
BOLT,6X10 (Ref # 10)	112G0610	
WASHER SPRING 6MM (Ref # 11)	461F0600	
WASHER PLAIN 6MM (Ref # 12)	410B0600	
MAT-BATTERY (Ref # 13)	32103-018	
MAT-BATTERY (Ref # 14)	32103-017	
BOLT-UPSET,6X12 (Ref # 15)	112G0612	
BOLT-UPSET,6X12 (Ref # 15)	112G0612	
WASHER LOCK 6MM (Ref # 16)	464H0600	
CASE-BATTERY (Ref # 17)	32097-016	
WASHER 6.5X20X1.6T (Ref # 18)	92022-125	
GUARD-ENGINE (Ref # 19)	55011-011	
NUT-HEX-FINE (Ref # 20)	314B1200	
WASHER SPRING 12MM (Ref # 21)	461F1200	
BOLT-HEX HEAD,12X163 (Ref # 22)	113B12163A	
PLATE-ENGINE MOUNT (Ref # 23)	32030-020	
BAND TOOL (Ref # 24)	92072-012	
BOLT-HEX HEAD,12X151 (Ref # 25)	113B12151A	
BOLT,8X20 (Ref # 26)	115G0820	
WASHER SPRING 8MM (Ref # 27)	461F0800	

## 1973 F9-A PARTS LIST

### FRAME/FRAME FITTINGS (F9)

ITEM NAME	PART NUMBER	QUANTITY
BOLT-HEX HEAD,12X260 (Ref # 28)	113B12260A	
STUD (Ref # 29)	92006-002	
BOX-TOOL,BLACK (Ref # 30)	32098-014-21	
CAP-TOOL CASE (Ref # 31)	32099-005	
PIN COTTER 2.0X30 (Ref # 32)	550D2030	
PLUG RUBBER (Ref # 33)	92074-005	
BAND RUBBER (Ref # 34)	92072-013	
BAND RUBBER (Ref # 35)	92072-018	
UNAVAILABLE IN PRICE BOOK (Ref # 36)	58041-003	