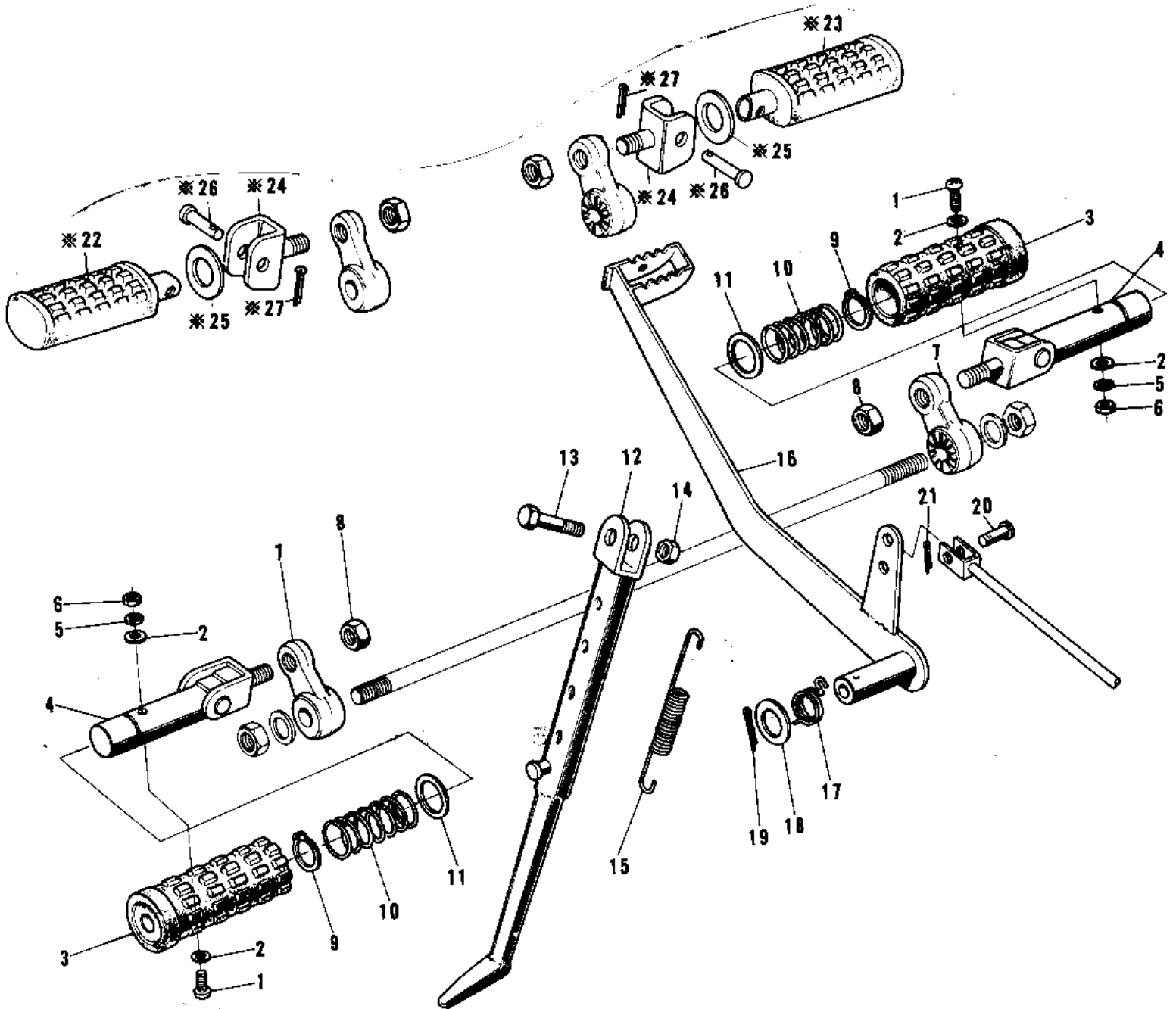


1972 F9 PARTS DIAGRAM

FOOTRESTS/STAND/BRAKE PEDAL ('72-'73 F9/)



1972 F9 PARTS LIST

FOOTRESTS/STAND/BRAKE PEDAL ('72-'73 F9/

ITEM NAME	PART NUMBER	QUANTITY
SCREW-PAN-CROS (Ref # 1)	220B0540	2
WASHER PLAIN 5MM (Ref # 2)	410B0500	4
RUBBER-FOOTREST (Ref # 3)	92076-023	2
BAR-FOOTREST (Ref # 4)	34003-032	2
WASHER SPRING 5MM (Ref # 5)	461F0500	2
NUT,5MM (Ref # 6)	311B0500	2
BRACKET-FOOTREST BAR (Ref # 7)	34007-009	2
NUT-LOCK,12MM (Ref # 8)	92019-009	2
CIRCLIP 16MM (Ref # 9)	480J1600	2
SPRING FOOTREST PEG (Ref # 10)	34006-002	2
WASHER FOLDING PEG (Ref # 11)	92022-049	2
STAND-SIDE (Ref # 12)	34024-025	1
BOLT,HEX HEAD 10X35 (Ref # 13)	92001-1252	1
NUT 10MM (Ref # 14)	315B1000	1
SPRING MAIN STAND (Ref # 15)	34023-005	1
PEDAL-BRAKE,BLACK (Ref # 16)	43001-036-10	1
SPRING-BRAKE PEDAL (Ref # 17)	43005-013	1
WASHER BRAKE PEDAL (Ref # 18)	92022-085	1
PIN COTTER 3.0X30 (Ref # 19)	550D3030	1
PIN R BRK CABLE JOIN (Ref # 20)	92043-034	1
PIN COTTER 2.0X15 (Ref # 21)	550D2015	1
STEP-ASSY,FR,LH (Ref # 22)	34027-1114	1
STEP-ASSY,FR,RH (Ref # 23)	34027-1115	1
HOLDER,FOTRST BAR,LH (Ref # 24)	34021-001-10	2
WASHER PL 22.5X36X2. (Ref # 25)	92022-204	2
PIN-FOOTREST BAR FIT (Ref # 26)	92043-080	2
PIN,COTTER,2.5X15 (Ref # 27)	550D2515	2