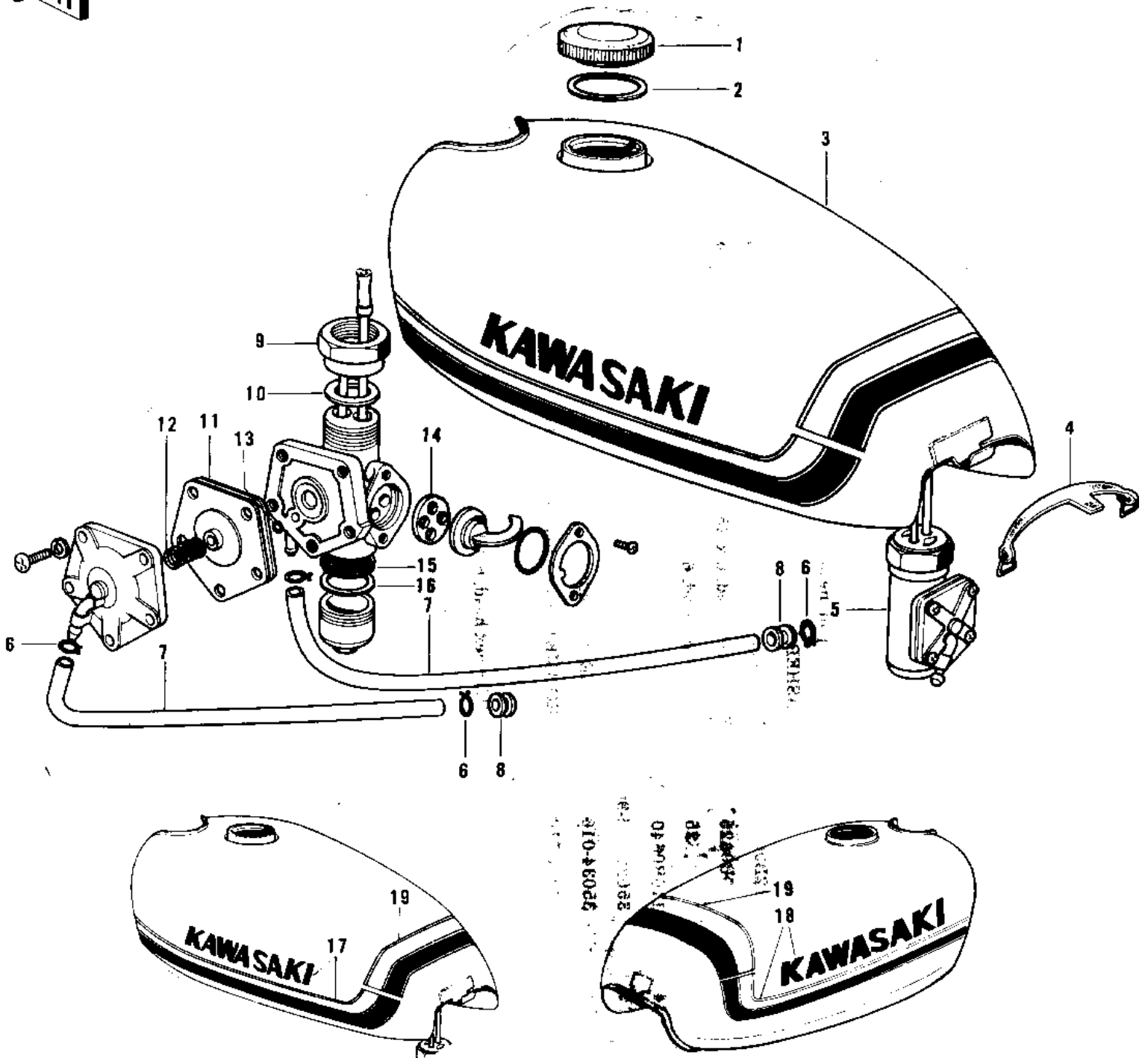


# 1972 F9 PARTS DIAGRAM

FUEL TANK (F9-A)



# 1972 F9 PARTS LIST

## FUEL TANK (F9-A)

ITEM NAME	PART NUMBER	QUANTITY
CAP,FUEL TANK LOCKIN (Ref # 1)	51048-006	1
GASKET-FUEL TANK CAP (Ref # 2)	51059-007	1
TANK,FUEL,L.GREEN (Ref # 3,17~1)	51001-078-90	1
BAND,FUEL TANK (Ref # 4)	92072-049	1
COCK ASSY,FUEL (Ref # 5)	51023-048	1
CLAMP FUEL PIPE (Ref # 6)	92037-010	4
PIPE-OIL (Ref # 7)	92059-072	2
GROMMET PIPE (Ref # 8)	92071-038	2
FUEL COCK JOINT NUT (Ref # 9)	51035-008	1
GASKET-FUEL COCK JON (Ref # 10)	92065-066	1
DIAPHRAGM ASSY (Ref # 11)	51069-002	1
SPRING-DIAPHRAGM (Ref # 12)	92081-072	1
GASKET (Ref # 13)	92065-052	1
GASKET-FUEL COCK LEV (Ref # 14)	92065-065	1
STRAINER FUEL (Ref # 15)	51038-006	1
GASKET FUEL COCK CUP (Ref # 16)	51037-009	1
DECAL,L.H FUEL TANK (Ref # 17)	56013-050	1
DECAL,L.H FUEL TANK (Ref # 17)	56013-050	1
DECAL,L.H FUEL TANK (Ref # 17)	56013-050	1
DECAL,R.H FUEL TANK (Ref # 18)	56014-040	1
DECAL,R.H FUEL TANK (Ref # 18)	56014-040	1
DECAL,R.H FUEL TANK (Ref # 18)	56014-040	1
DECAL-TOP FUEL TANK (Ref # 19)	56027-120	1