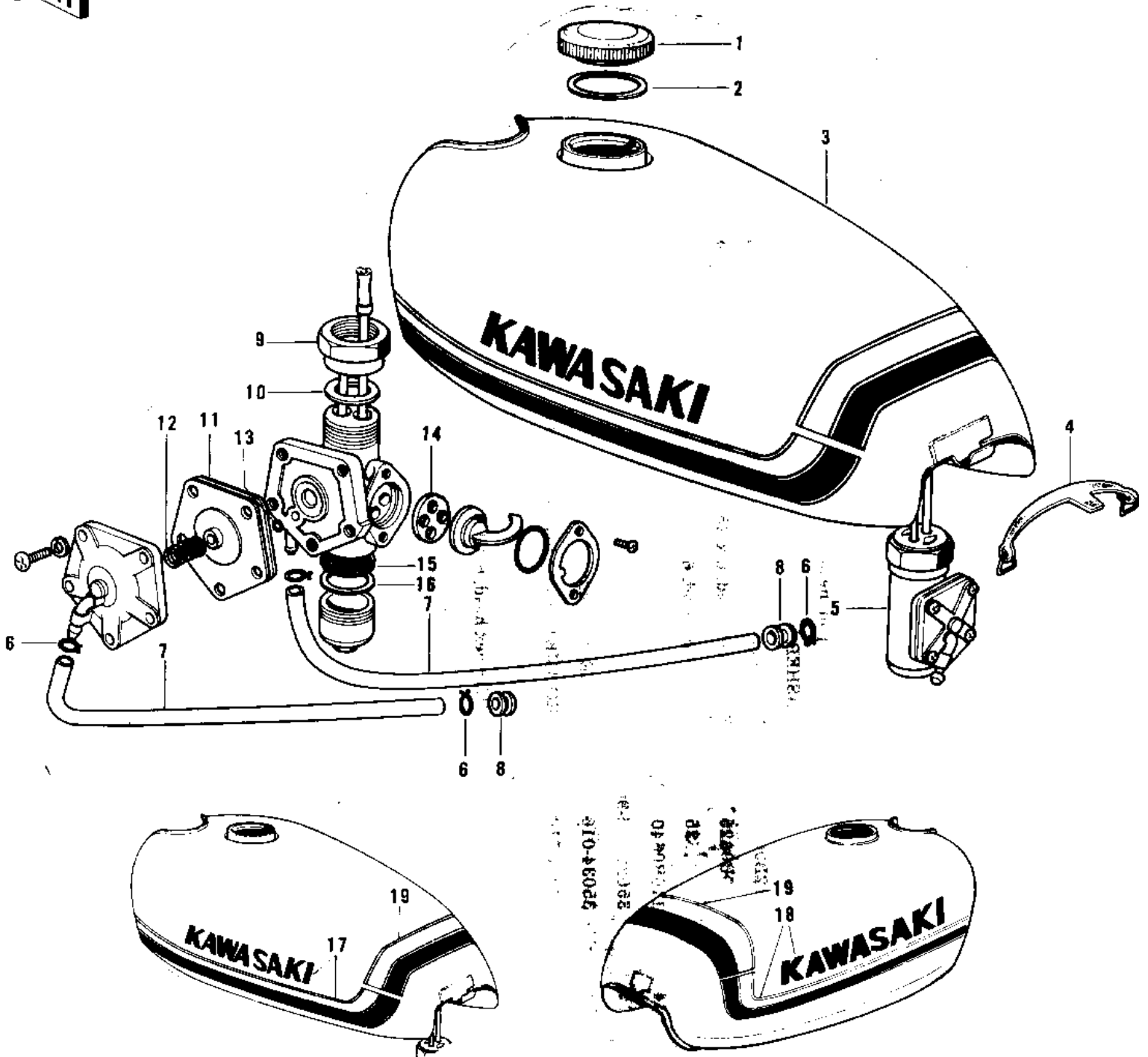


# 1975 F9-C PARTS DIAGRAM

FUEL TANK (F9-A)



# 1975 F9-C PARTS LIST

## FUEL TANK (F9-A)

ITEM NAME	PART NUMBER	QUANTITY
CAP,FUEL TANK LOCKIN (Ref # 1)	51048-006	
GASKET-FUEL TANK CAP (Ref # 2)	51059-007	
TANK,FUEL,L.GREEN (Ref # 3,17~1)	51001-078-90	
BAND,FUEL TANK (Ref # 4)	92072-049	
COCK ASSY,FUEL (Ref # 5)	51023-048	
CLAMP FUEL PIPE (Ref # 6)	92037-010	
PIPE-OIL (Ref # 7)	92059-072	
GROMMET PIPE (Ref # 8)	92071-038	
FUEL COCK JOINT NUT (Ref # 9)	51035-008	
GASKET-FUEL COCK JON (Ref # 10)	92065-066	
DIAPHRAGM ASSY (Ref # 11)	51069-002	
SPRING-DIAPHRAGM (Ref # 12)	92081-072	
GASKET (Ref # 13)	92065-052	
GASKET-FUEL COCK LEV (Ref # 14)	92065-065	
STRAINER FUEL (Ref # 15)	51038-006	
GASKET FUEL COCK CUP (Ref # 16)	51037-009	
DECAL,L.H FUEL TANK (Ref # 17)	56013-050	
DECAL,L.H FUEL TANK (Ref # 17)	56013-050	
DECAL,L.H FUEL TANK (Ref # 17)	56013-050	
DECAL,R.H FUEL TANK (Ref # 18)	56014-040	
DECAL,R.H FUEL TANK (Ref # 18)	56014-040	
DECAL,R.H FUEL TANK (Ref # 18)	56014-040	
DECAL-TOP FUEL TANK (Ref # 19)	56027-120	