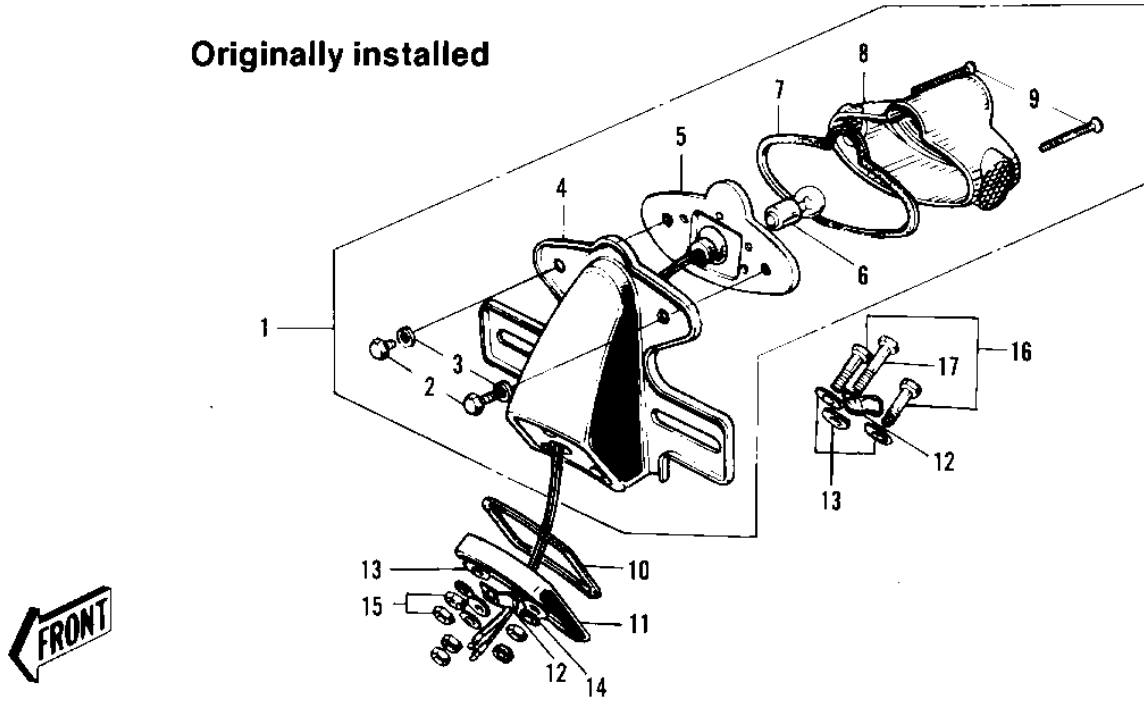


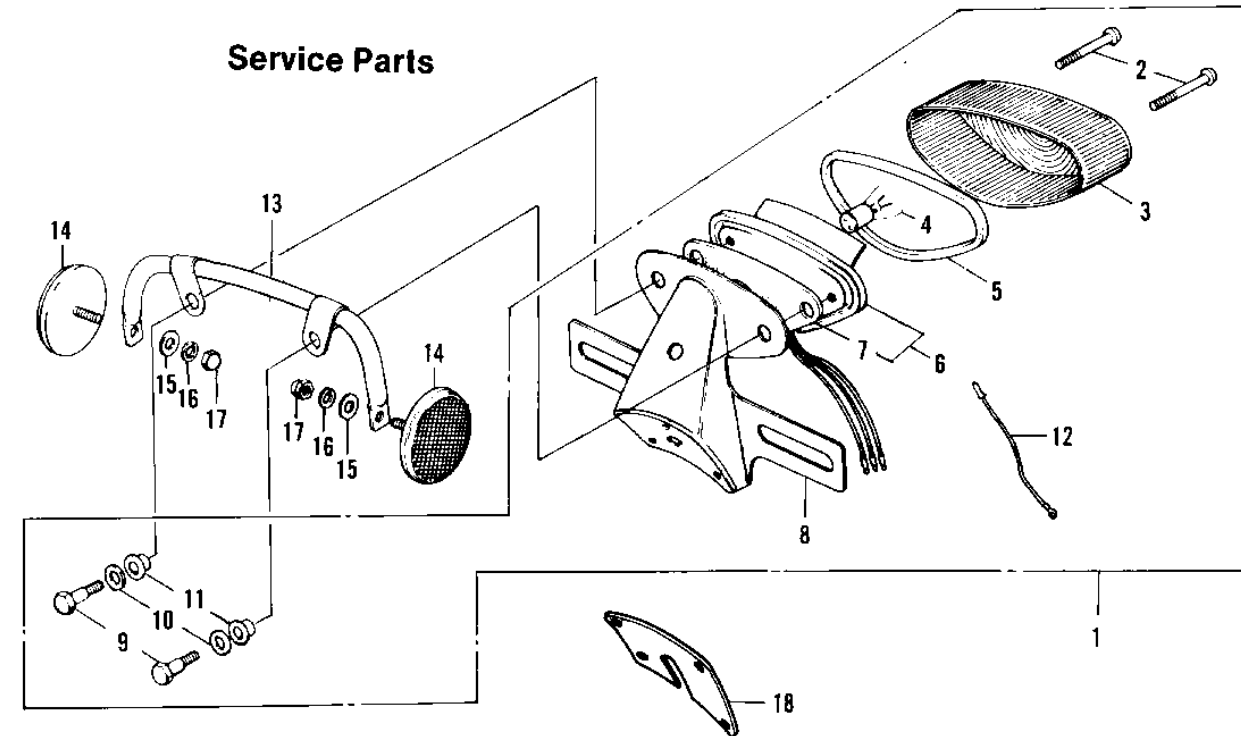
1973 F9-A PARTS DIAGRAM

TAILLIGHT (F9)

Originally installed



Service Parts



1973 F9-A PARTS LIST

TAILLIGHT (F9)

| ITEM NAME | PART NUMBER | QUANTITY |
|---------------------------------|--------------|----------|
| LAMP ASSY-TAIL,BLACK (Ref # 1) | 23024-019-21 | |
| .BOLT HEX HEAD 5X10 (Ref # 2) | 110N0510A | |
| .WASHER SPRING 5MM (Ref # 3) | 461F0500 | |
| .BKT LICENSE PLT BLAC (Ref # 4) | 23036-007-10 | |
| SOCKET TAIL LAMP (Ref # 5) | 23027-009 | |
| BULB 6V 3/21CP (Ref # 6) | 92069-023 | |
| .GASKET TAIL LAMP (Ref # 7) | 23028-008 | |
| .LENS TAIL LAMP (Ref # 8) | 23026-010 | |
| .SCREW PAN HEAD 4X50 (Ref # 9) | 220E0450 | |
| STAY-TAIL LAMP (Ref # 10) | 35031-005 | |
| DAMPER RUBBER (Ref # 11) | 35016-004 | |
| CLIP WIRING HARNESS (Ref # 12) | 35024-002 | |
| WASHER 6.5X20X1.6T (Ref # 13) | 92022-125 | |
| WASHER SPRING 6MM (Ref # 14) | 461F0600 | |
| NUT 6MM (Ref # 15) | 312B0600 | |
| BOLT-HEX HEAD,6X32 (Ref # 16) | 110N0632 | |
| BOLT-UPSET,6X40 (Ref # 17) | 112G0640 | |
| LAMP ASSY-TAIL,BLACK (Ref # 1) | 23024-019-21 | |
| .SCREW (Ref # 2) | 220R0455 | |
| SCREW (Ref # 2) | 220R0455 | |
| .LENS-TAIL LAMP (Ref # 3) | 23026-022 | |
| .BULB 6V 3/21CP (Ref # 4) | 92069-023 | |
| .GASKET-TAIL LAMP LEN (Ref # 5) | 23028-016 | |
| .CASE-TAIL LAMP (Ref # 6) | 23027-029 | |
| .GASKET-TAIL LAMP CAS (Ref # 7) | 23028-015 | |
| .BKT-LICENSE PLT,BLAC (Ref # 8) | 23036-014-21 | |
| .BOLT (Ref # 9) | 92001-111 | |
| .WASHER,8.5X20X1.6 (Ref # 10) | 92022-1561 | |
| .DAMPER RUBBER (Ref # 11) | 92075-091 | |

1973 F9-A PARTS LIST

TAILLIGHT (F9)

| ITEM NAME | PART NUMBER | QUANTITY |
|---------------------------------|-------------|----------|
| .WIRE IGNITION LEAD (Ref # 12) | 26011-014 | |
| BRACKET-REFLECTOR (Ref # 13) | 28013-002 | |
| REFLECTOR-REFLEX,REA (Ref # 14) | 28012-008 | |
| WASHER PLAIN 5MM (Ref # 15) | 411B0500 | |
| WASHER SPRING 5MM (Ref # 16) | 461F0500 | |
| NUT-CAP,5MM (Ref # 17) | 322N0500 | |
| DAMPER-TAIL LAMP SHC (Ref # 18) | 35039-005 | |
| DAMPER-TAIL LAMP SHC (Ref # 18) | 35039-005 | |