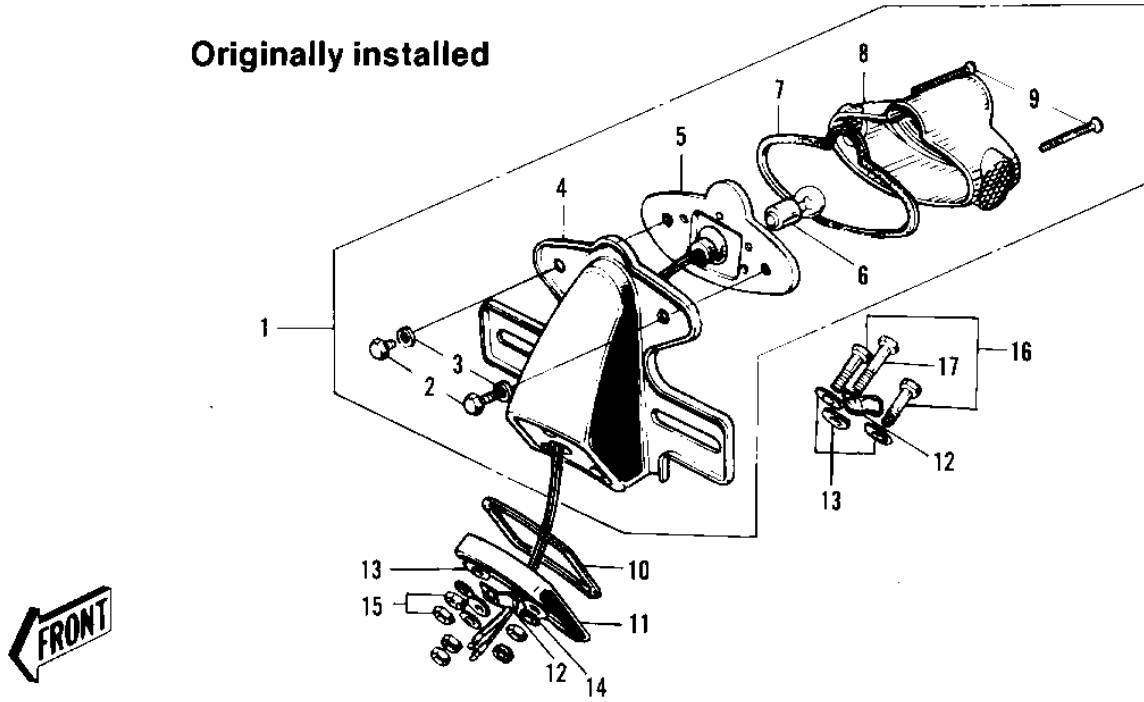


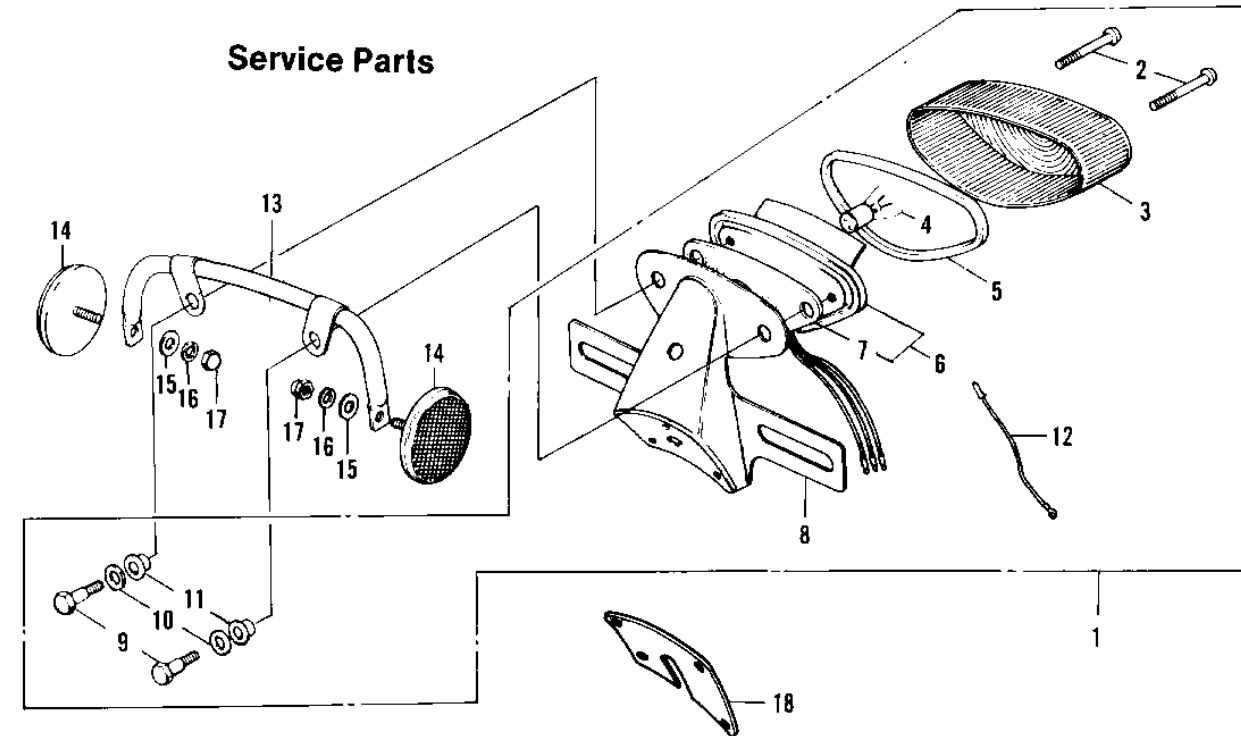
1975 F9-C PARTS DIAGRAM

TAILLIGHT (F9)

Originally installed



Service Parts



1975 F9-C PARTS LIST

TAILLIGHT (F9)

ITEM NAME	PART NUMBER	QUANTITY
LAMP ASSY-TAIL,BLACK (Ref # 1)	23024-019-21	
.BOLT HEX HEAD 5X10 (Ref # 2)	110N0510A	
.WASHER SPRING 5MM (Ref # 3)	461F0500	
.BKT LICENSE PLT BLAC (Ref # 4)	23036-007-10	
SOCKET TAIL LAMP (Ref # 5)	23027-009	
BULB 6V 3/21CP (Ref # 6)	92069-023	
.GASKET TAIL LAMP (Ref # 7)	23028-008	
.LENS TAIL LAMP (Ref # 8)	23026-010	
.SCREW PAN HEAD 4X50 (Ref # 9)	220E0450	
STAY-TAIL LAMP (Ref # 10)	35031-005	
DAMPER RUBBER (Ref # 11)	35016-004	
CLIP WIRING HARNESS (Ref # 12)	35024-002	
WASHER 6.5X20X1.6T (Ref # 13)	92022-125	
WASHER SPRING 6MM (Ref # 14)	461F0600	
NUT 6MM (Ref # 15)	312B0600	
BOLT-HEX HEAD,6X32 (Ref # 16)	110N0632	
BOLT-UPSET,6X40 (Ref # 17)	112G0640	
LAMP ASSY-TAIL,BLACK (Ref # 1)	23024-019-21	
.SCREW (Ref # 2)	220R0455	
SCREW (Ref # 2)	220R0455	
.LENS-TAIL LAMP (Ref # 3)	23026-022	
.BULB 6V 3/21CP (Ref # 4)	92069-023	
.GASKET-TAIL LAMP LEN (Ref # 5)	23028-016	
.CASE-TAIL LAMP (Ref # 6)	23027-029	
.GASKET-TAIL LAMP CAS (Ref # 7)	23028-015	
.BKT-LICENSE PLT,BLAC (Ref # 8)	23036-014-21	
.BOLT (Ref # 9)	92001-111	
.WASHER,8.5X20X1.6 (Ref # 10)	92022-1561	
.DAMPER RUBBER (Ref # 11)	92075-091	

1975 F9-C PARTS LIST

TAILLIGHT (F9)

ITEM NAME	PART NUMBER	QUANTITY
.WIRE IGNITION LEAD (Ref # 12)	26011-014	
BRACKET-REFLECTOR (Ref # 13)	28013-002	
REFLECTOR-REFLEX,REA (Ref # 14)	28012-008	
WASHER PLAIN 5MM (Ref # 15)	411B0500	
WASHER SPRING 5MM (Ref # 16)	461F0500	
NUT-CAP,5MM (Ref # 17)	322N0500	
DAMPER-TAIL LAMP SHC (Ref # 18)	35039-005	
DAMPER-TAIL LAMP SHC (Ref # 18)	35039-005	