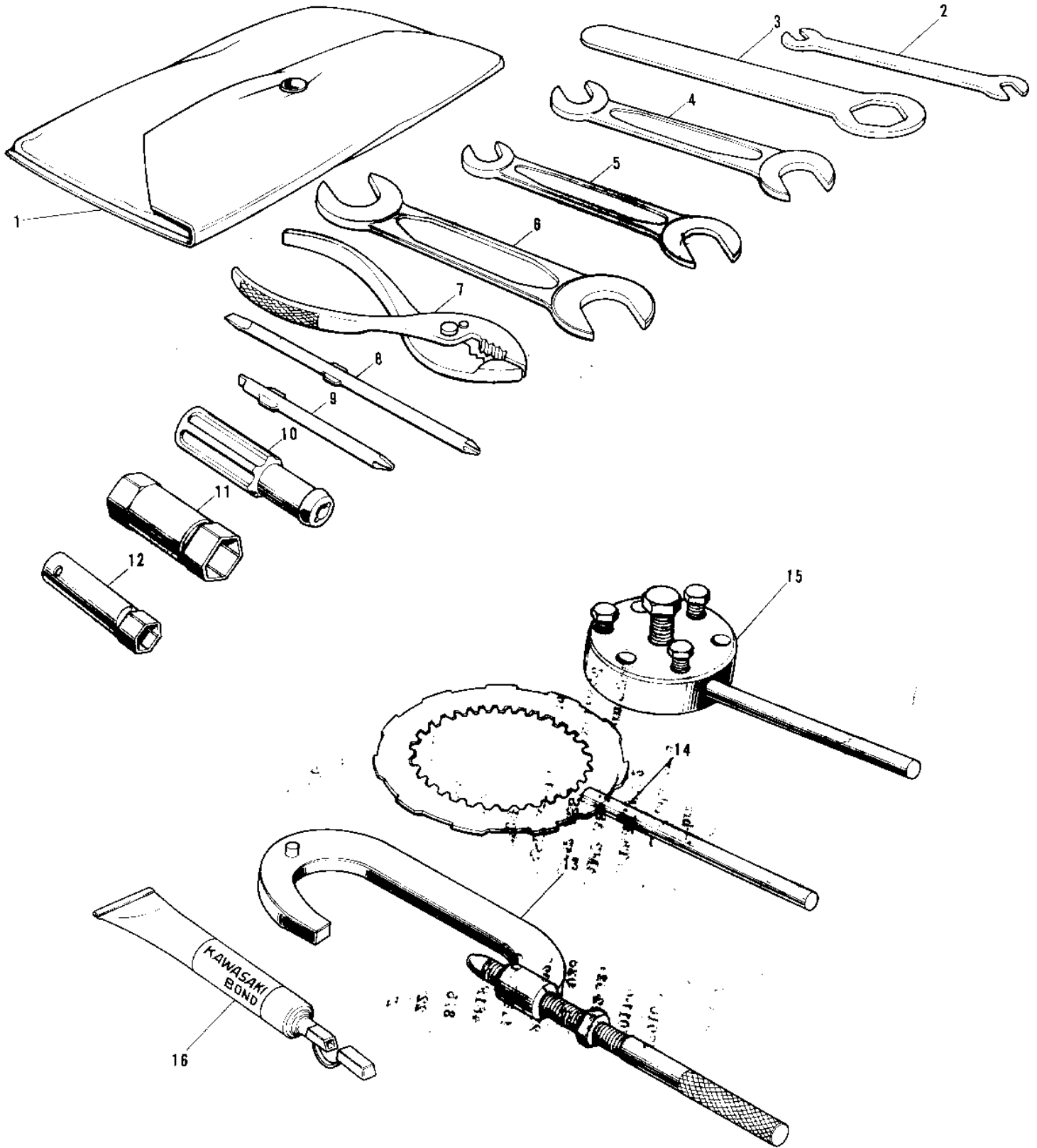


1973 F9-A PARTS DIAGRAM

OWNER TOOLS/SPECIAL SERVICE TOOLS ('72-')



1973 F9-A PARTS LIST

OWNER TOOLS/SPECIAL SERVICE TOOLS ('72-')

ITEM NAME	PART NUMBER	QUANTITY
UNAVAILABLE IN PRICE BOOK (Ref # 1~12)	56007-020	
BAG,TOOL (Ref # 1)	56008-008	
92106-1001 (Canada) (Ref # 2)	92106-004	
92110-1150 (Canada) (Ref # 3)	92109-003	
UNAVAILABLE IN PRICE BOOK (Ref # 4)	960B1013	
*** N.L.A.*** (Canada) (Ref # 5)	960B1014	
*** N.L.A.*** (Canada) (Ref # 6)	960B1719	
92112-003 (Canada) (Ref # 7)	92112-001	
UNAVAILABLE IN PRICE BOOK (Ref # 7)	92112-002	
TOOL-DRIVER (Ref # 8)	92107-1052	
SCREW DRIVER #3 PHLI (Ref # 9)	92107-005	
92106-1001 (Canada) (Ref # 10)	92106-002	
92110-012 (Canada) (Ref # 11)	92110-009	
WRENCH BOX 10MM (Ref # 12)	92110-007	
57001-1243 (Canada) (Ref # 13)	56019-040	
57001-1243 (Canada) (Ref # 14)	56019-067	
UNAVAILABLE IN PRICE BOOK (Ref # 15)	56019-068	
LIQUID GASKET (Ref # 16)	92104-002	