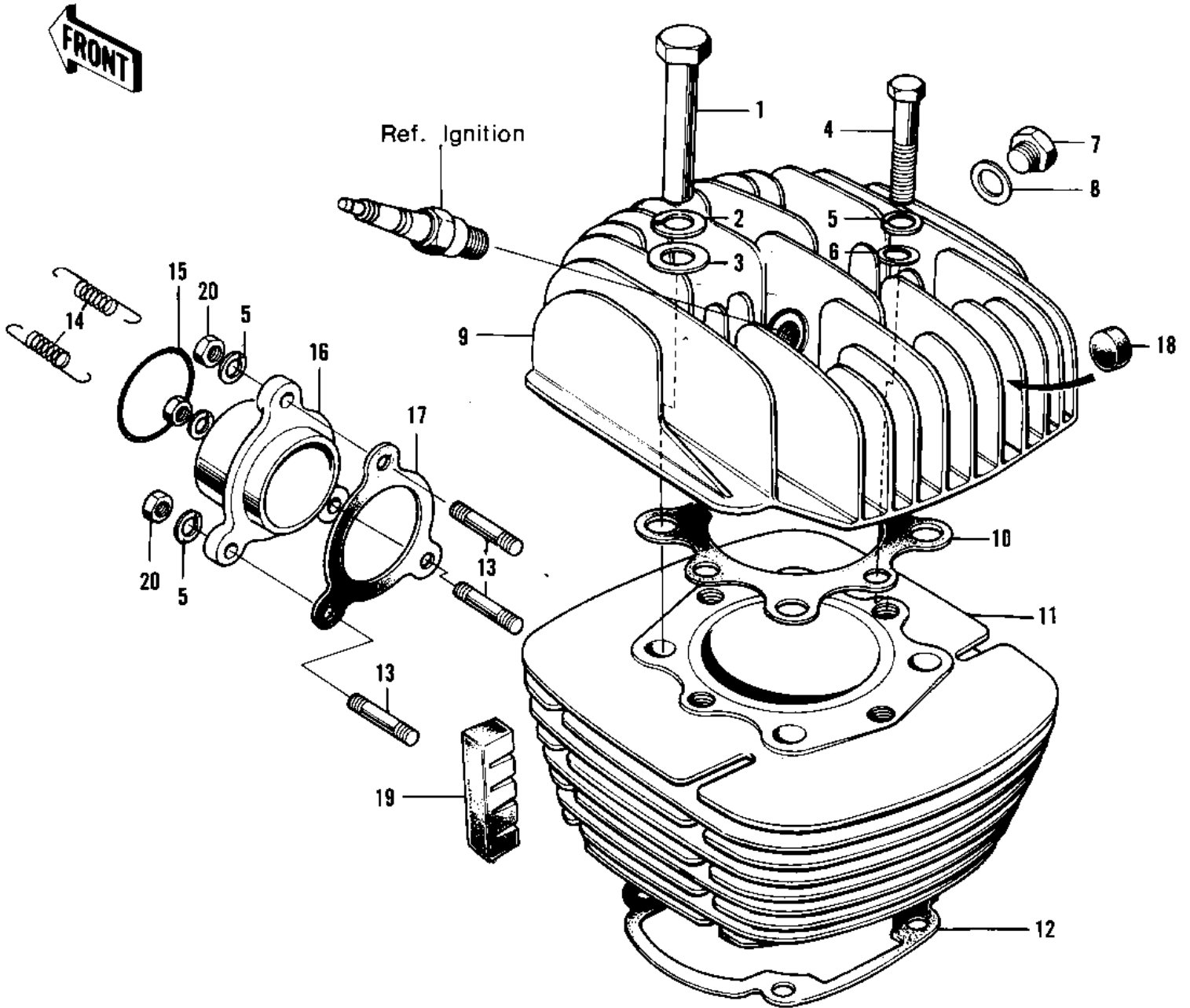


# 1973 F9-A PARTS DIAGRAM

CYLINDER HEAD/CYLINDER ('74-'75 F9-B/F9-



# 1973 F9-A PARTS LIST

CYLINDER HEAD/CYLINDER ('74-'75 F9-B/F9-

ITEM NAME	PART NUMBER	QUANTITY
NUT 10MM (Ref # 1)	92015-022	
WASHER SPRING 14MM (Ref # 2)	461F1400	
WASHER PLAIN 14MM (Ref # 3)	410B1400	
BOLT,10X45 (Ref # 4)	92001-1182	
BOLT,10X45 (Ref # 4)	92001-1182	
WASHER SPRING 8MM (Ref # 5)	461F0800	
WASHER SPRING 8MM (Ref # 5)	461F0800	
WASHER SPRING 8MM (Ref # 5)	461F0800	
WASHER PLAIN 8MM (Ref # 6)	410B0800	
PLUG-CYLINDER HEAD (Ref # 7)	92067-005	
GASKET-CYL HEAD PLUG (Ref # 8)	92065-068	
CYLINDER HEAD,F BLAC (Ref # 9)	11001-047-21	
GASKET-CYLINDER HEAD (Ref # 10)	11004-037	
CYLINDER,F.BLACK (Ref # 11)	11005-056-21	
GASKET-CYLINDER BASE (Ref # 12)	11009-024	
STUD 8X20 (Ref # 13)	172G0820	
SPRING-CONNECTOR (Ref # 14)	18071-003	
UNAVAILABLE IN PRICE BOOK (Ref # 15)	56019-102	
HOLDER-EXHAUST (Ref # 16)	18062-002	
GASKET-EXHAUST PIPE (Ref # 17)	18050-004	
DAMPER RUBBER-CYL HD (Ref # 18)	92075-117	
DAMPER RUBBER-CYLNDE (Ref # 19)	92075-093	
NUT 8MM (Ref # 20)	318B0800	