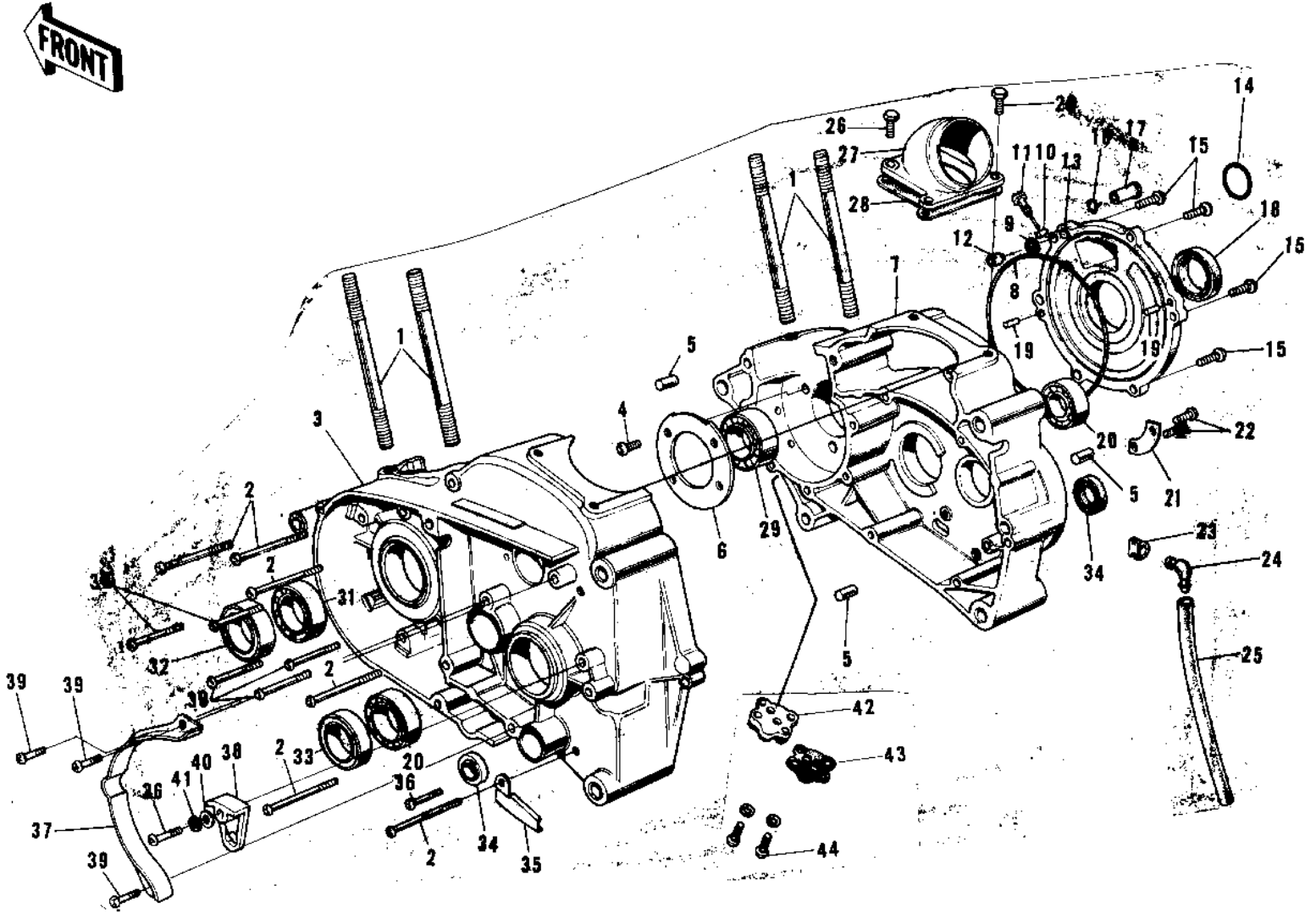


1975 F9-C PARTS DIAGRAM

CRANKCASE ('74-'75 F9-B/F9-C 350)



1975 F9-C PARTS LIST

CRANKCASE ('74-'75 F9-B/F9-C 350)

ITEM NAME	PART NUMBER	QUANTITY
STUD 10X75 (Ref # 1)	172G1075	
SCREW PAN HEAD 6X75 (Ref # 2)	220B0675	
CRANKCASE,L.H F.BLAC (Ref # 3)	14002-088-21	
SCREW CNTSNK HD 6X16 (Ref # 4)	221B0616	
PIN,DOWEL,10X8.2X14 (Ref # 5)	92043-1037	
HOLDER-CRANK BEARING (Ref # 6)	14014-019	
CRANKCASE,R.H F.BLAC (Ref # 7)	14003-062-21	
"O" RING,134.5MM (Ref # 8)	92055-039	
"O" RING,5MM (Ref # 9)	670B1505	
"O" RING,5MM (Ref # 10)	92055-011	
NOZZLE OIL INJECTION (Ref # 11)	92062-004	
NOZZLE,OIL METERING (Ref # 12)	92062-008	
COVER-ROTARY DISC VL (Ref # 13)	14019-048	
"O" RING,35MM (Ref # 14)	670B3035	
SCREW PAN HEAD 6X20 (Ref # 15)	220B0620	
"O" RING,CHECK VALVE (Ref # 16)	92055-037	
VALVE-CHECK (Ref # 17)	16128-006	
OIL SEAL TB35488 (Ref # 18)	653B354808	
PIN DOWEL 5X12 (Ref # 19)	610A0512	
BEARING BALL #6205 (Ref # 20)	601B6205	
HOLDER-MISSION BERNG (Ref # 21)	14014-020	
SCREW PAN HEAD 6X14 (Ref # 22)	220B0614	
GROMMET (Ref # 23)	92071-042	
BREATHER ASSY (Ref # 24)	14069-1001	
PIPE-BREATHER (Ref # 25)	92059-061	
BOLT,HEX HEAD,6X20 (Ref # 26)	92001-136	
BOLT-UPSET,6X20 (Ref # 26)	112G0620	
PIPE,INLET,T.BLACK (Ref # 27)	11015-041-21	
GASKET-INLET PIPE (Ref # 28)	11017-005	

1975 F9-C PARTS LIST

CRANKCASE ('74-'75 F9-B/F9-C 350)

ITEM NAME	PART NUMBER	QUANTITY
BEARING-BALL (Ref # 29)	92045-016	
SCREW PAN HEAD 6X50 (Ref # 30)	220B0650	
BEARING BALL #6305 (Ref # 31)	601B6305	
SEAL-OIL (Ref # 32)	92049-1250	
OIL SEAL TB3040 (Ref # 33)	92050-033	
OIL SEAL SB12205 (Ref # 34)	92049-004	
COVER-WIRING HARNESS (Ref # 35)	14076-001	
SCREW PAN HEAD 6X30 (Ref # 36)	220B0630	
GUIDE-CHAIN (Ref # 37)	14077-001	
TENSIONER-CHAIN (Ref # 38)	13123-004	
SCREW PAN HEAD 6X12 (Ref # 39)	220B0612	
WASHER PLAIN 6MM (Ref # 40)	410B0600	
WASHER SPRING 6MM (Ref # 41)	461F0600	
VALVE,CHECK (Ref # 42)	16128-008	
GASKET,CHECK VALVE (Ref # 43)	14051-003	
SCREW PAN HEAD 6X25 (Ref # 44)	220B0625	