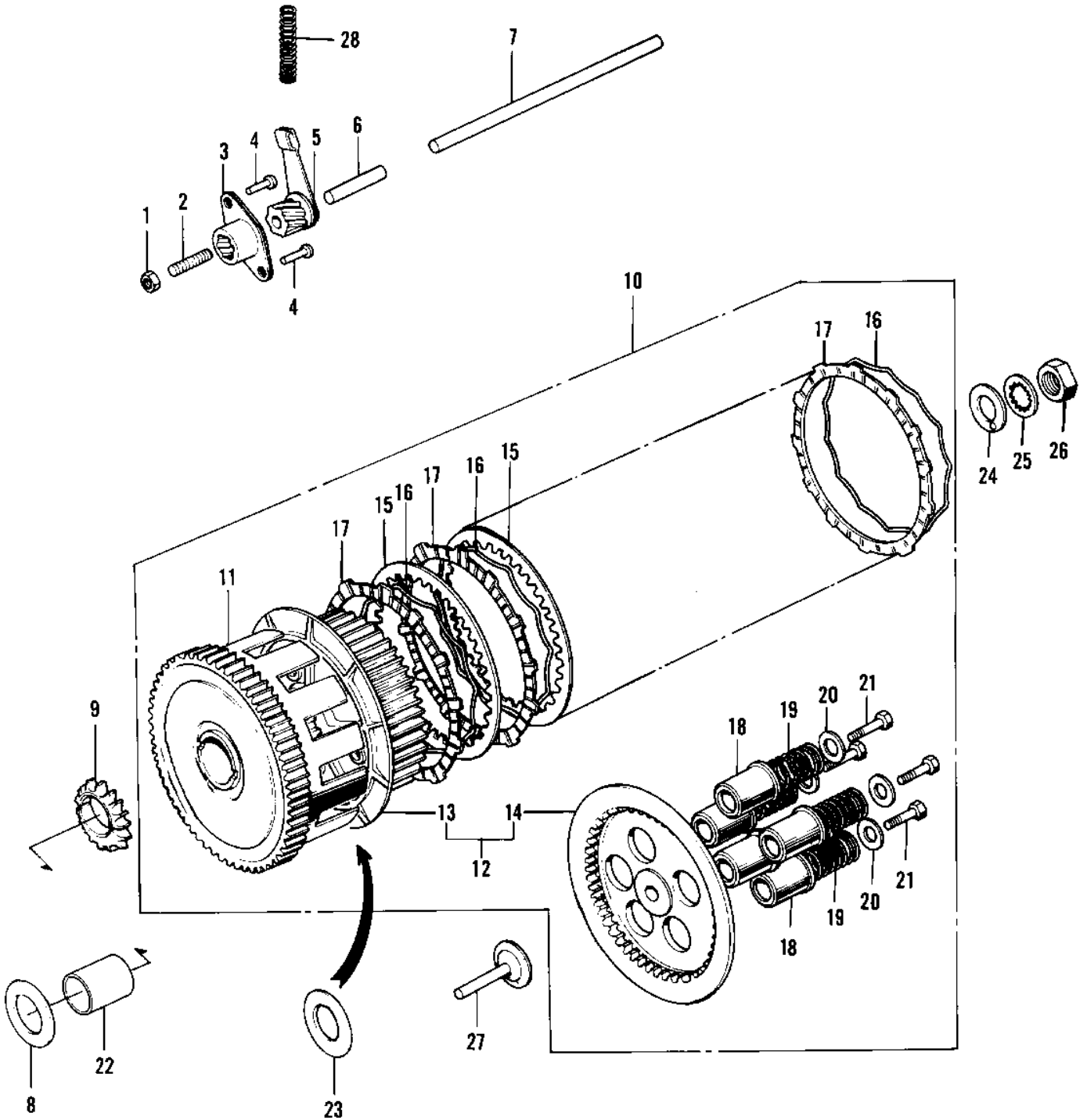


# 1975 F9-C PARTS DIAGRAM

CLUTCH ('74-'75 F9-B/F9-C 350)



# 1975 F9-C PARTS LIST

CLUTCH ('74-'75 F9-B/F9-C 350)

ITEM NAME	PART NUMBER	QUANTITY
NUT 6MM (Ref # 1)	311B0600	
SCREW-CLUTCH ADJUST (Ref # 2)	92014-011	
RELEASE OUTER-CLUTCH (Ref # 3)	13118-005	
SCREW PAN HEAD 6X14 (Ref # 4)	220B0614	
RELEASE INNER-CLUTCH (Ref # 5)	13102-010	
PUSH ROD-CLUTCH,SHOR (Ref # 6)	13116-013	
PUSH ROD-CLUTCH,LONG (Ref # 7)	13116-012	
WASHER TH 25.5X38X1T (Ref # 8)	92022-145	
PINION-KICKSTARTER (Ref # 9)	13075-007	
CLUTCH-ASSY (Ref # 10)	13081-042	
.HOUSING-CLUTCH (Ref # 11)	13095-027	
.HUB SET-CLUTCH (Ref # 12)	13084-005	
..HUB-CLUTCH (Ref # 13)	13087-030	
..PLATE-CLUTCH SPRING (Ref # 14)	13187-005	
.PLATE CLUTCH STEEL (Ref # 15)	13089-013	
.RING-CLUTCH STEEL (Ref # 16)	13229-003	
RING-CLUTCH STEEL (Ref # 16)	13229-003	
.PLATE-CLUTCH FRICTIO (Ref # 17)	13088-021	
.GUIDE CLUTCH SPRING (Ref # 18)	13092-005	
.SPRING CLUTCH (Ref # 19)	92081-042	
.HOLDER CL SPG6.5X20X (Ref # 20)	13091-009	
.BOLT-UPSET (Ref # 21)	112G0618	
BUSHING 25X30X34L (Ref # 22)	92028-081	
WASHER TH 25.5X47X2. (Ref # 23)	92026-022	
WASHER PL 19X36.5X0. (Ref # 24)	92022-074	
WASHER LOCK 18MM (Ref # 25)	463G1800	
NUT 18MM (Ref # 26)	92015-019	
PUSHER-CLTCH SPRG PL (Ref # 27)	13116-011	
SPRING-CLUTCH RELEAS (Ref # 28)	92081-069	