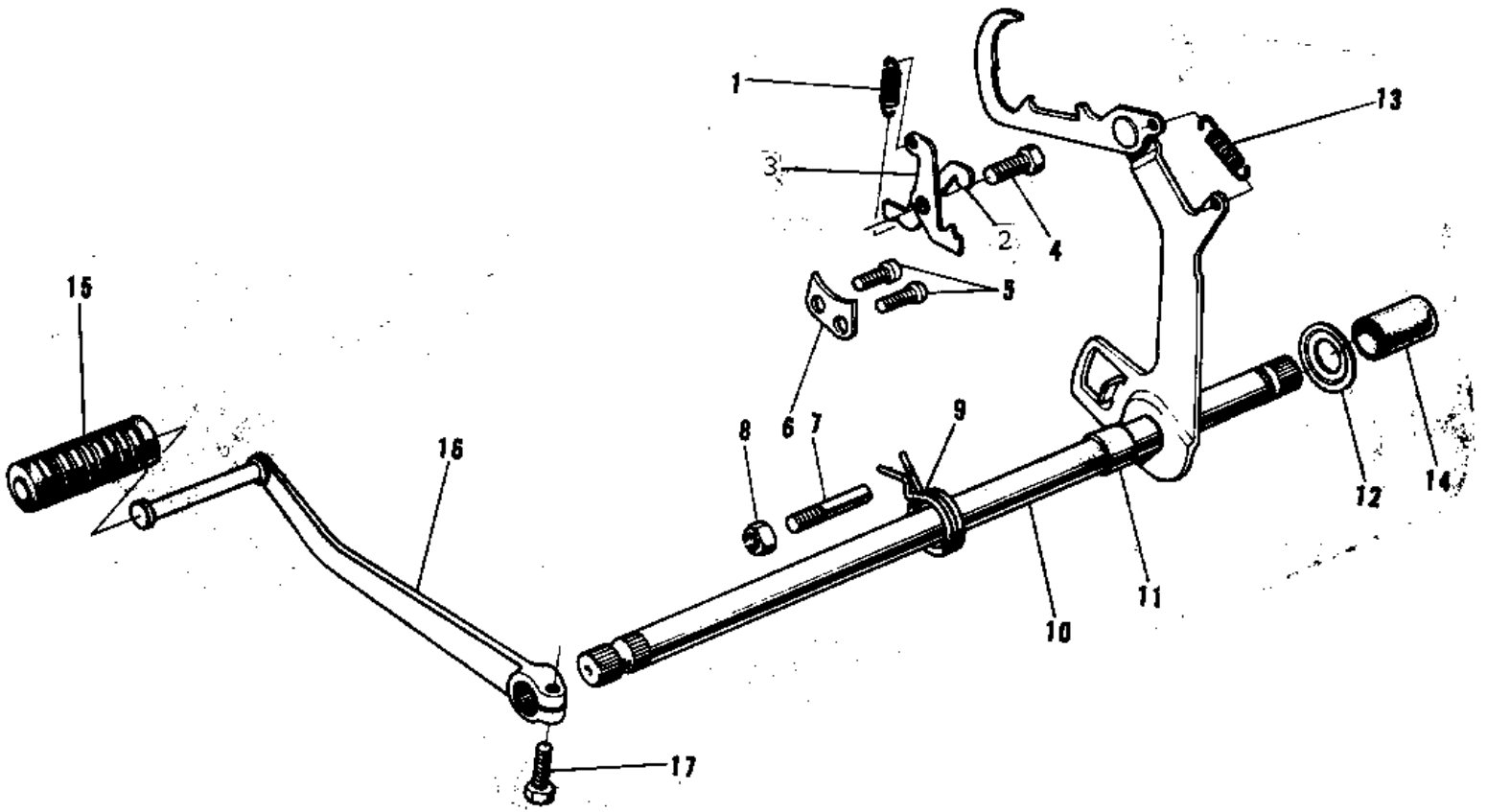


1972 F9 PARTS DIAGRAM

GEAR CHANGE MECHANISM ('74-'75 F9-B/F9-C)



1972 F9 PARTS LIST

GEAR CHANGE MECHANISM ('74-'75 F9-B/F9-C)

ITEM NAME	PART NUMBER	QUANTITY
SPRING-COIL (Ref # 1)	92081-091	1
LEVER-GEAR CHANGE DRUM,B (Ref # 2)	13168-017	1
LEVER-CHANGE DRUM,A (Ref # 3)	13168-016	1
SCREW-PAN HEAD (Ref # 4)	92011-023	1
SCREW PAN HEAD 6X14 (Ref # 5)	220B0614	2
PLATE CHNG DRUM PSTN (Ref # 6)	13169-002	1
PIN CHANGE PEDAL SPR (Ref # 7)	92043-057	1
NUT, 8MM (Ref # 8)	312B0800	1
SPRING,TENTION (Ref # 9)	92081-1129	1
LEVER ASSY GEAR CHNG (Ref # 10)	13161-025	1
COLLAR (Ref # 11)	92027-121	1
SPACER (Ref # 12)	92026-068	1
SPRING CHANGE LEVER (Ref # 13)	92081-011	1
RUBBER CAP (Ref # 14)	13080-004	1
RUBBER CHANGE PEDAL (Ref # 15)	13157-004	1
PEDAL GEAR CHANGE (Ref # 16)	13156-045	1
BOLT-UPSET (Ref # 17)	112G0618	1
BOLT-UPSET (Ref # 17)	112G0618	AL