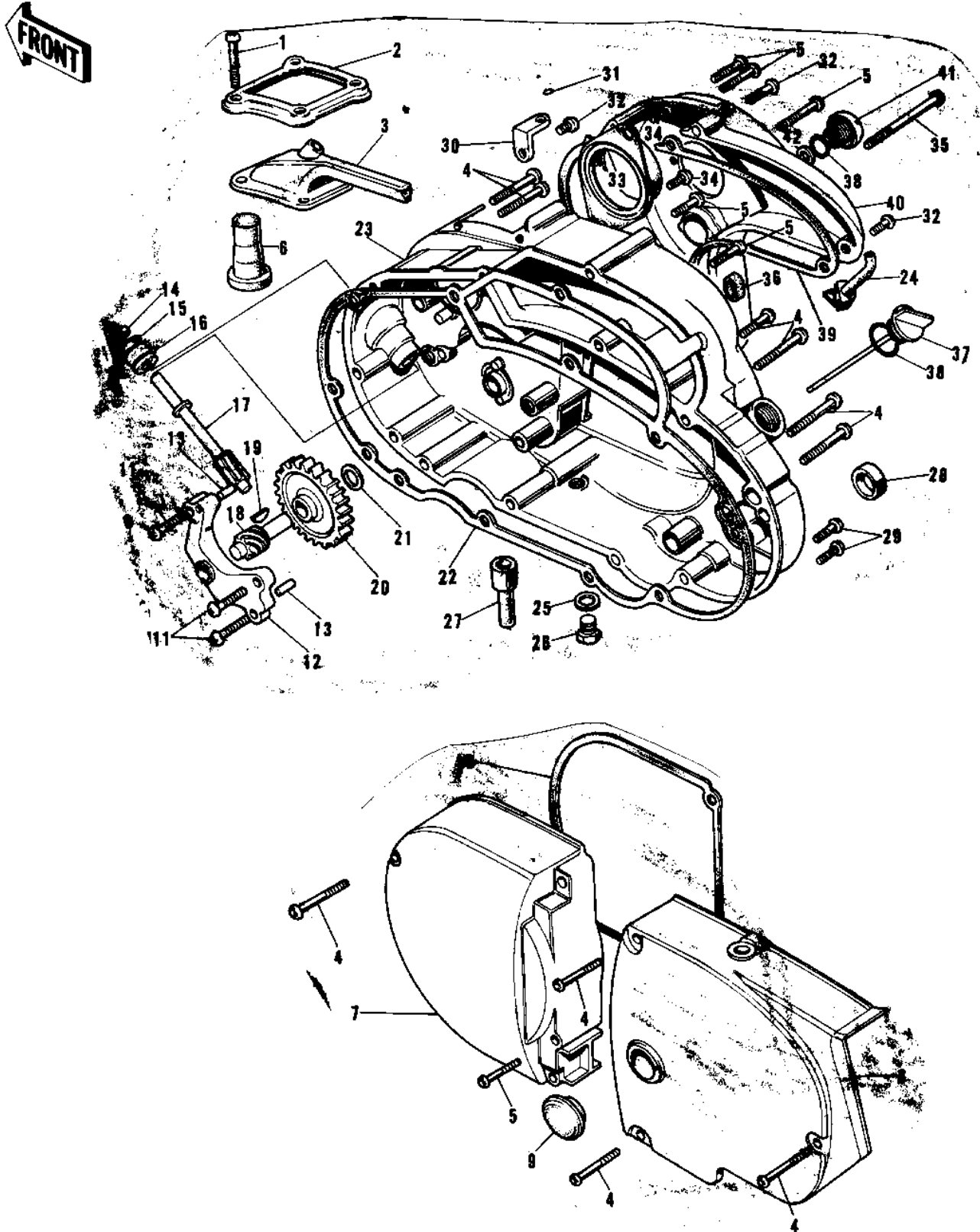


1973 F9-A PARTS DIAGRAM

ENGINE COVERS (74-'75 F9-B/F9-C 350)



1973 F9-A PARTS LIST

ENGINE COVERS ('74-'75 F9-B/F9-C 350)

ITEM NAME	PART NUMBER	QUANTITY
SCREW PAN HEAD 5X12 (Ref # 1)	220B0512	
HOLDER,CARBURETOR CA (Ref # 2)	14065-006	
CAP,CARBURETOR (Ref # 3)	14038-038	
SCREW PAN HEAD 6X55 (Ref # 4)	220B0655	
SCREW PAN HEAD 6X35 (Ref # 5)	220B0635	
RUBBER PLUG-CARB CAP (Ref # 6)	92074-021	
COVER,L.H ENGINE,BUF (Ref # 7)	14031-038-80	
COVER,CHAIN-CASE (Ref # 8)	14026-005-E8	
CAP-CLUTCH HOLE (Ref # 9)	14040-003	
GASKET-L.H ENG COVER (Ref # 10)	14045-008	
SCREW PAN HEAD 6X25 (Ref # 11)	220B0625	
HOLDER-TACHOMETER GR (Ref # 12)	14018-004	
PIN DOWEL 5X12 (Ref # 13)	610A0512	
OIL SEAL (Ref # 14)	92054-004	
"O" RING (Ref # 15)	92055-025	
BUSH (Ref # 16)	92028-075	
GEAR-TACHOMETER (Ref # 17)	13223-004	
PINION-TACHOMETER (Ref # 18)	13224-006	
WOODRUFF KEY (Ref # 19)	510A3100	
GEAR-OIL PUMP (Ref # 20)	16085-014	
WASHER THRUST (Ref # 21)	92026-025	
GASKET-R.H-ENG.CVR (Ref # 22)	14046-020	
COVER,R.H ENGINE,BUF (Ref # 23)	14032-090-80	
GROMMET OIL PIPE (Ref # 24)	16135-006	
GASKET CHECK VALVE (Ref # 25)	92065-058	
PLUG OIL DRAIN (Ref # 26)	92067-001	
PIPE FUEL OVERFLOW (Ref # 27)	16116-001	
OIL SEAL SB20285 (Ref # 28)	92049-012	
SCREW PAN HEAD 6X30 (Ref # 29)	220B0630	

1973 F9-A PARTS LIST

ENGINE COVERS ('74-'75 F9-B/F9-C 350)

ITEM NAME	PART NUMBER	QUANTITY
HOLDER-OIL PUMP CABL (Ref # 30)	14044-005	
CIRCLIP (Ref # 31)	92036-017	
SCREW PAN HEAD 6X20 (Ref # 32)	220B0620	
HOLDER-CARBURETOR (Ref # 33)	16065-010	
SCREW PAN HEAD 6X12 (Ref # 34)	220B0612	
SCREW PAN HEAD 6X70 (Ref # 35)	220B0670	
STOPPER-CARBURETOR (Ref # 36)	14064-001	
PLUG-OIL FILLER (Ref # 37)	16115-017	
"0" RING,20MM (Ref # 38)	670B2020	
GASKET-CARBURETOR CO (Ref # 39)	14048-002	
COVER,CARBURETOR,BUF (Ref # 40)	14030-034-80	
PLUG,CARBURETOR COVE (Ref # 41)	92067-015	
WASHER-RUBBER (Ref # 42)	92094-010	