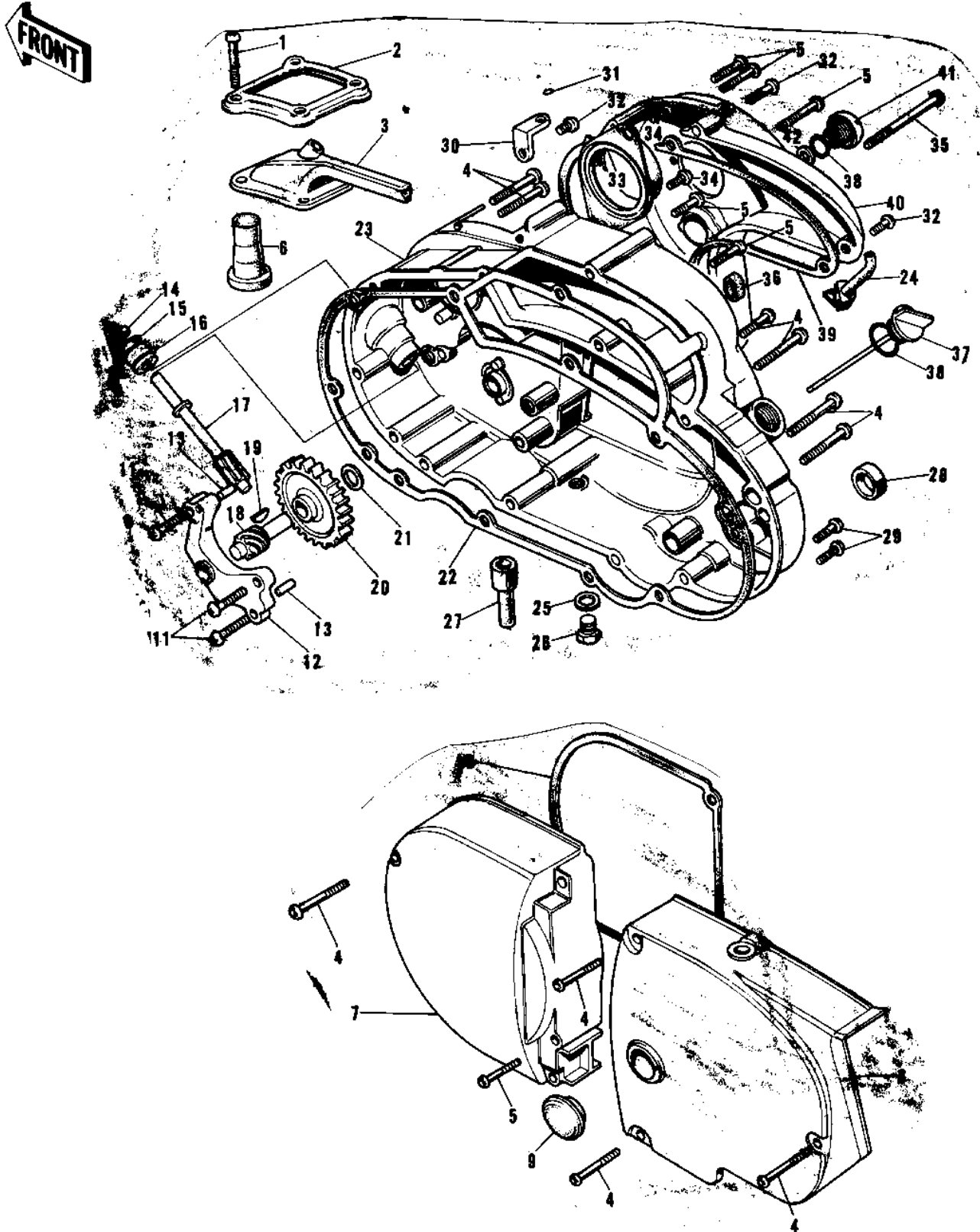


1975 F9-C PARTS DIAGRAM

ENGINE COVERS (74-'75 F9-B/F9-C 350)



1975 F9-C PARTS LIST

ENGINE COVERS ('74-'75 F9-B/F9-C 350)

| ITEM NAME | PART NUMBER | QUANTITY |
|---------------------------------|--------------|----------|
| SCREW PAN HEAD 5X12 (Ref # 1) | 220B0512 | |
| HOLDER,CARBURETOR CA (Ref # 2) | 14065-006 | |
| CAP,CARBURETOR (Ref # 3) | 14038-038 | |
| SCREW PAN HEAD 6X55 (Ref # 4) | 220B0655 | |
| SCREW PAN HEAD 6X35 (Ref # 5) | 220B0635 | |
| RUBBER PLUG-CARB CAP (Ref # 6) | 92074-021 | |
| COVER,L.H ENGINE,BUF (Ref # 7) | 14031-038-80 | |
| COVER,CHAIN-CASE (Ref # 8) | 14026-005-E8 | |
| CAP-CLUTCH HOLE (Ref # 9) | 14040-003 | |
| GASKET-L.H ENG COVER (Ref # 10) | 14045-008 | |
| SCREW PAN HEAD 6X25 (Ref # 11) | 220B0625 | |
| HOLDER-TACHOMETER GR (Ref # 12) | 14018-004 | |
| PIN DOWEL 5X12 (Ref # 13) | 610A0512 | |
| OIL SEAL (Ref # 14) | 92054-004 | |
| "O" RING (Ref # 15) | 92055-025 | |
| BUSH (Ref # 16) | 92028-075 | |
| GEAR-TACHOMETER (Ref # 17) | 13223-004 | |
| PINION-TACHOMETER (Ref # 18) | 13224-006 | |
| WOODRUFF KEY (Ref # 19) | 510A3100 | |
| GEAR-OIL PUMP (Ref # 20) | 16085-014 | |
| WASHER THRUST (Ref # 21) | 92026-025 | |
| GASKET-R.H-ENG.CVR (Ref # 22) | 14046-020 | |
| COVER,R.H ENGINE,BUF (Ref # 23) | 14032-090-80 | |
| GROMMET OIL PIPE (Ref # 24) | 16135-006 | |
| GASKET CHECK VALVE (Ref # 25) | 92065-058 | |
| PLUG OIL DRAIN (Ref # 26) | 92067-001 | |
| PIPE FUEL OVERFLOW (Ref # 27) | 16116-001 | |
| OIL SEAL SB20285 (Ref # 28) | 92049-012 | |
| SCREW PAN HEAD 6X30 (Ref # 29) | 220B0630 | |

1975 F9-C PARTS LIST

ENGINE COVERS ('74-'75 F9-B/F9-C 350)

| ITEM NAME | PART NUMBER | QUANTITY |
|---------------------------------|--------------|----------|
| HOLDER-OIL PUMP CABL (Ref # 30) | 14044-005 | |
| CIRCLIP (Ref # 31) | 92036-017 | |
| SCREW PAN HEAD 6X20 (Ref # 32) | 220B0620 | |
| HOLDER-CARBURETOR (Ref # 33) | 16065-010 | |
| SCREW PAN HEAD 6X12 (Ref # 34) | 220B0612 | |
| SCREW PAN HEAD 6X70 (Ref # 35) | 220B0670 | |
| STOPPER-CARBURETOR (Ref # 36) | 14064-001 | |
| PLUG-OIL FILLER (Ref # 37) | 16115-017 | |
| "0" RING,20MM (Ref # 38) | 670B2020 | |
| GASKET-CARBURETOR CO (Ref # 39) | 14048-002 | |
| COVER,CARBURETOR,BUF (Ref # 40) | 14030-034-80 | |
| PLUG,CARBURETOR COVE (Ref # 41) | 92067-015 | |
| WASHER-RUBBER (Ref # 42) | 92094-010 | |