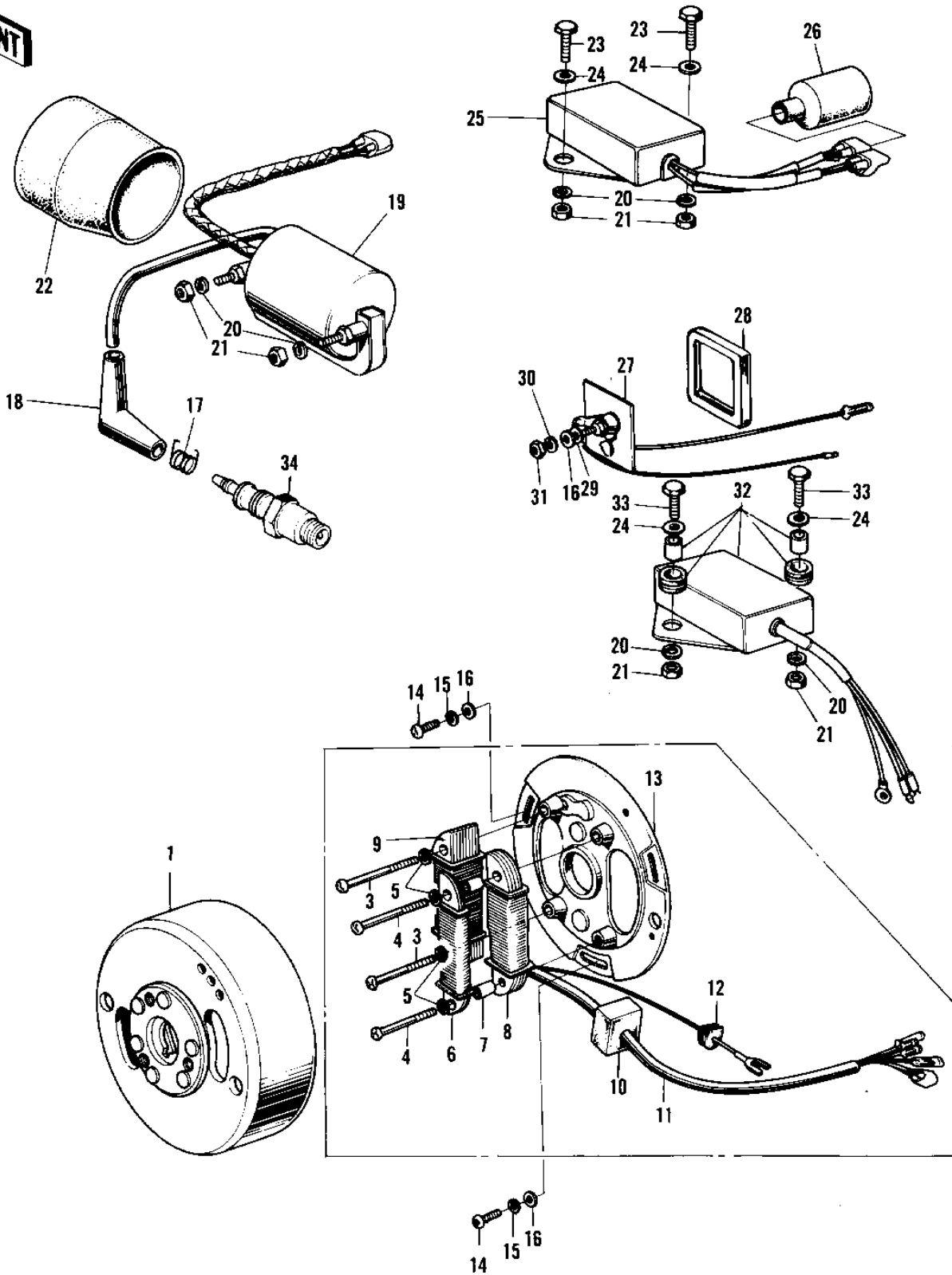


1972 F9 PARTS DIAGRAM

IGNITION/GENERATOR/REGULATOR ('74-'75 F9)

FRONT



1972 F9 PARTS LIST

IGNITION/GENERATOR/REGULATOR ('74-'75 F9)

ITEM NAME	PART NUMBER	QUANTITY
FLYWEEL (Ref # 1)	21050-015	1
STATOR (Ref # 2)	21003-011	1
SCREW PAN HEAD 4X30 (Ref # 3)	220E0430	2
SCREW PAN HEAD 4X30 (Ref # 3)	220E0430	2
SCREW-PAN HEAD,4X35 (Ref # 4)	220E0435A	2
SCREW-PAN HEAD,4X35 (Ref # 4)	220E0435A	2
WASHER SPRING 4MM (Ref # 5)	461F0400	4
COIL-PULSER (Ref # 6)	21157-001	1
COLLAR (Ref # 7)	21033-002	2
COIL-PRIMARY (Ref # 8)	21049-011	1
COIL-LIGHTING (Ref # 9)	21047-012	1
GROMMET ENG RUBBER A (Ref # 10)	92071-014	1
WIRING HARNESS-MAGNE (Ref # 11)	21029-020	1
GROMMET WIRING HARN (Ref # 12)	21017-005	1
BASE-MAGNETO (Ref # 13)	21048-013	1
SCREW PAN HEAD 5X20 (Ref # 14)	220B0520	3
WASHER SPRING 5MM (Ref # 15)	461F0500	3
WASHER PLAIN 5MM (Ref # 16)	410B0500	4
SPRING-SPARK PLUG CA (Ref # 17)	92101-001	1
CAP SPARK PLUG (Ref # 18)	21130-009	1
COIL-IGNITION (Ref # 19)	21121-039	1
WASHER SPRING 6MM (Ref # 20)	461F0600	6
NUT 6MM (Ref # 21)	311B0600	6
RUBBER CAP-COIL (Ref # 22)	92073-016	1
BOLT-UPSET 6X14 (Ref # 23)	112B0614	2
WASHER PLAIN 6MM (Ref # 24)	410B0600	4
IGNITION UNIT (Ref # 25)	21119-013	1
COVER WIRING HARNESS (Ref # 26)	26009-003	1
RECTIFIER (Ref # 27)	21061-5001	1

1972 F9 PARTS LIST

IGNITION/GENERATOR/REGULATOR ('74-'75 F9

ITEM NAME	PART NUMBER	QUANTITY
MAT-RECTIFIER (Ref # 28)	32103-020	(1
WASHER-PLAIN (Ref # 29)	92022-163	1
WASHER SPRING 5MM (Ref # 30)	461F0500	1
NUT,5MM (Ref # 31)	311B0500	1
REGULATOR-VOLTAGE (Ref # 32)	21066-010	1
BOLT-UPSET (Ref # 33)	112G0618	2
SPARK PLUG B10H-1.0 (Ref # 34)	92070-039	1