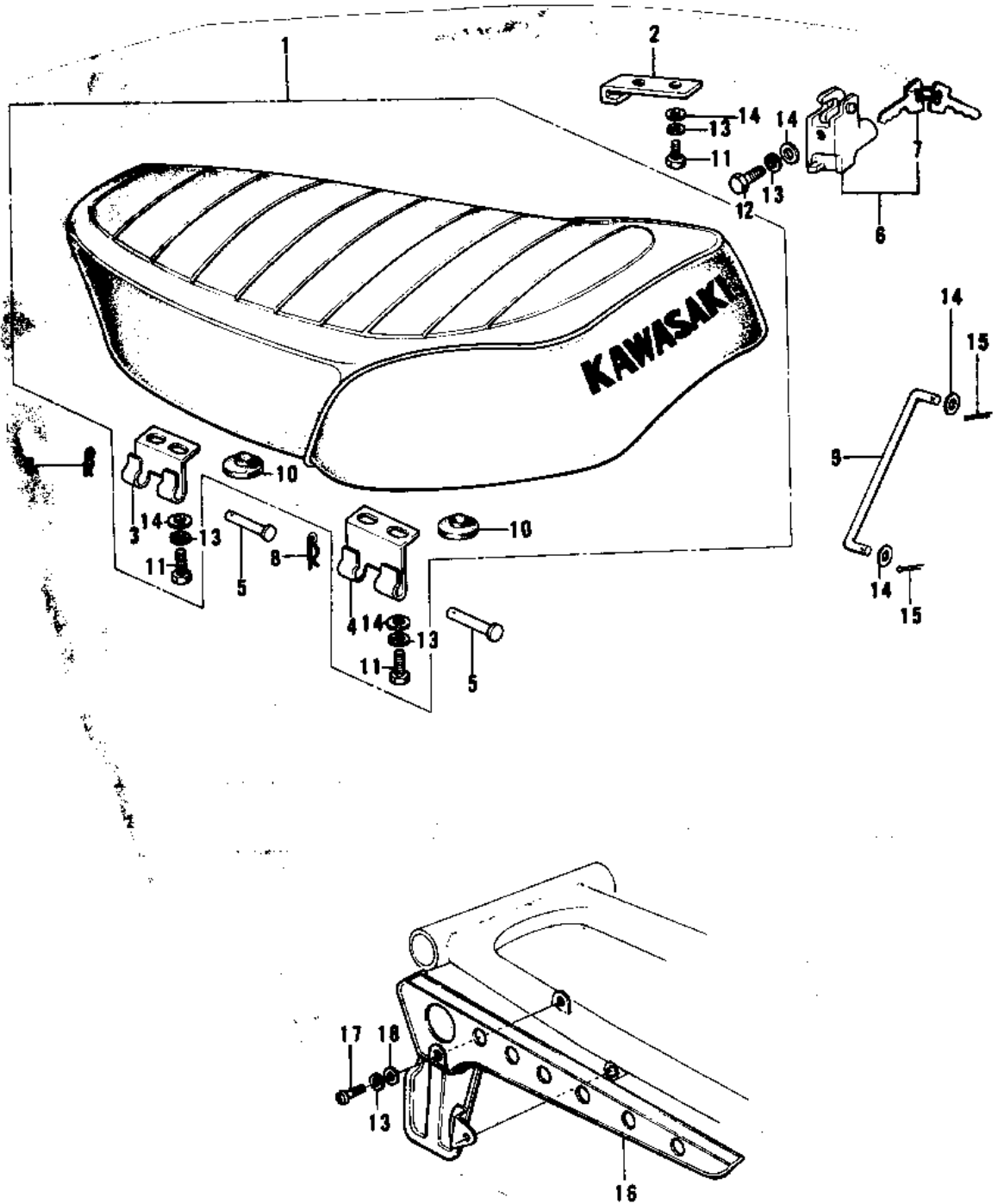


# 1975 F9-C PARTS DIAGRAM

SEAT/CHAIN COVER ('74-'75 F9-B/F9-C 350)



# 1975 F9-C PARTS LIST

SEAT/CHAIN COVER ('74-'75 F9-B/F9-C 350)

ITEM NAME	PART NUMBER	QUANTITY
SEAT ASSY,DUAL (Ref # 1)	53002-055	
HOOK,SEAT (Ref # 2)	53008-022	
HINGE (Ref # 3)	53009-015	
HINGE (Ref # 4)	53009-016	
PIN (Ref # 5)	53011-002	
HOOK ASSY,SEAT LOCK (Ref # 6)	53045-016	
KEY SET,#411 (Ref # 7)	27008-063-11	
KEY SET,#412 (Ref # 7)	27008-063-12	
KEY SET,#413 (Ref # 7)	27008-063-13	
KEY SET,#414 (Ref # 7)	27008-063-14	
KEY SET,#415 (Ref # 7)	27008-063-15	
KEY SET,#416 (Ref # 7)	27008-063-16	
KEY SET,#417 (Ref # 7)	27008-063-17	
KEY SET,#418 (Ref # 7)	27008-063-18	
KEY SET,#419 (Ref # 7)	27008-063-19	
KEY SET,#420 (Ref # 7)	27008-063-20	
COTTER PIN (Ref # 8)	92041-003	
STOPPER,SEAT (Ref # 9)	53054-006	
DAMPER RUBB DUAL SEA (Ref # 10)	92075-023	
BOLT-UPSET 6X14 (Ref # 11)	112B0614	
BOLT-UPSET 6X14 (Ref # 11)	112B0614	
BOLT-UPSET,6X12 (Ref # 12)	112G0612	
BOLT-UPSET,6X12 (Ref # 12)	112G0612	
BOLT-UPSET 6X14 (Ref # 12)	112B0614	
WASHER SPRING 6MM (Ref # 13)	461F0600	
WASHER PLAIN 6MM (Ref # 14)	410B0600	
PIN COTTER 1.6X15 (Ref # 15)	550D1615	
CASE-CHAIN (Ref # 16)	36014-030-21	
SCREW PAN HEAD 6X14 (Ref # 17)	220B0614	