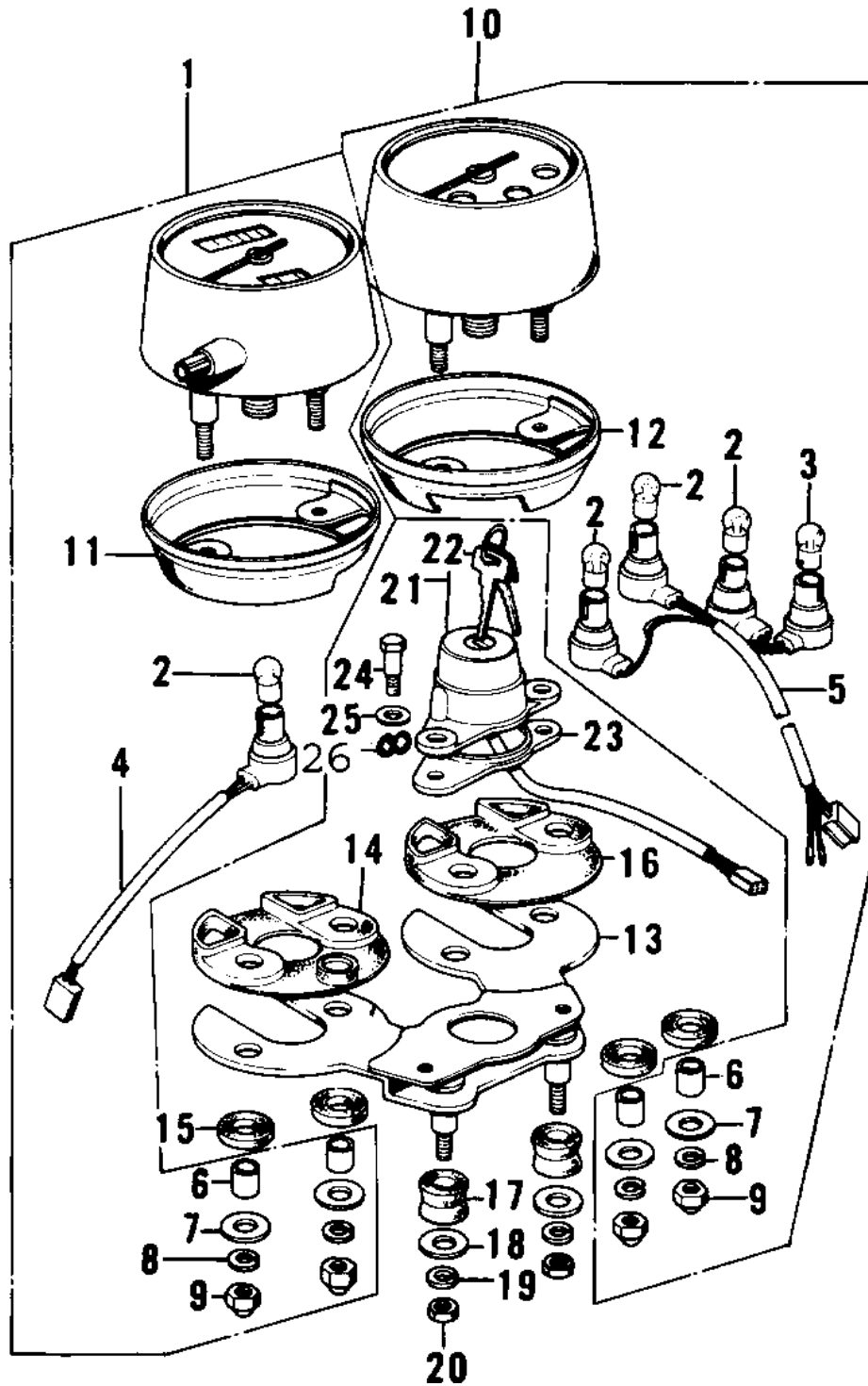


1973 F9-A PARTS DIAGRAM

METERS/IGNITION SWITCH



1973 F9-A PARTS LIST

METERS/IGNITION SWITCH

ITEM NAME	PART NUMBER	QUANTITY
SPEEDOMETER ASSY,MPH (Ref # 1)	25005-096	
BULB 6V 1.5W (Ref # 2)	92069-024	
BULB-6V 3W (Ref # 3)	92069-053	
SOCKET,SPEEDOMETER (Ref # 4)	25010-015	
SOCKET,TACHOMETER (Ref # 5)	25011-039	
COLLAR,METER FITTING (Ref # 6)	25021-004	
WASHER PL 5.2X18X1.2 (Ref # 7)	92022-285	
WASHER SPRING 5MM (Ref # 8)	461F0500	
NUT-CAP,5MM (Ref # 9)	322N0500	
TACHOMETER ASSY (Ref # 10)	25016-024	
COVER-SPEEDOMETER (Ref # 11)	25012-017	
COVER,TACHOMETER (Ref # 12)	25012-018	
BRACKET,METER (Ref # 13)	25008-032	
SHOCK DAMPER,METER (Ref # 14)	25019-018	
DAMPER RUBBER,METER (Ref # 15)	25019-019	
DAMPER RUBBER,METER (Ref # 16)	25019-020	
DAMPER RUBB SPEEDMET (Ref # 17)	92075-024	
WASHER 6.5X20X1.6T (Ref # 18)	92022-125	
WASHER 6.5X22X1.6T (Ref # 18)	92022-237	
WASHER SPRING 6MM (Ref # 19)	461F0600	
NUT 6MM (Ref # 20)	311B0600	
SWITCH ASSY,IGNITION (Ref # 21)	27005-068	
KEY SET,#411 (Ref # 22)	27008-063-11	
KEY SET,#412 (Ref # 22)	27008-063-12	
KEY SET,#413 (Ref # 22)	27008-063-13	
KEY SET,#414 (Ref # 22)	27008-063-14	
KEY SET,#415 (Ref # 22)	27008-063-15	
KEY SET,#416 (Ref # 22)	27008-063-16	
KEY SET,#417 (Ref # 22)	27008-063-17	

1973 F9-A PARTS LIST

METERS/IGNITION SWITCH

ITEM NAME	PART NUMBER	QUANTITY
KEY SET,#418 (Ref # 22)	27008-063-18	
KEY SET,#419 (Ref # 22)	27008-063-19	
KEY SET,#420 (Ref # 22)	27008-063-20	
DAMPER RUBBER (Ref # 23)	92075-077	
BOLT-HEX HEAD,6MM (Ref # 24)	92007-026	
WASHER PLAIN 8MM (Ref # 25)	410B0800	
UNAVAILABLE IN PRICE BOOK (Ref # 26)	25002-022	