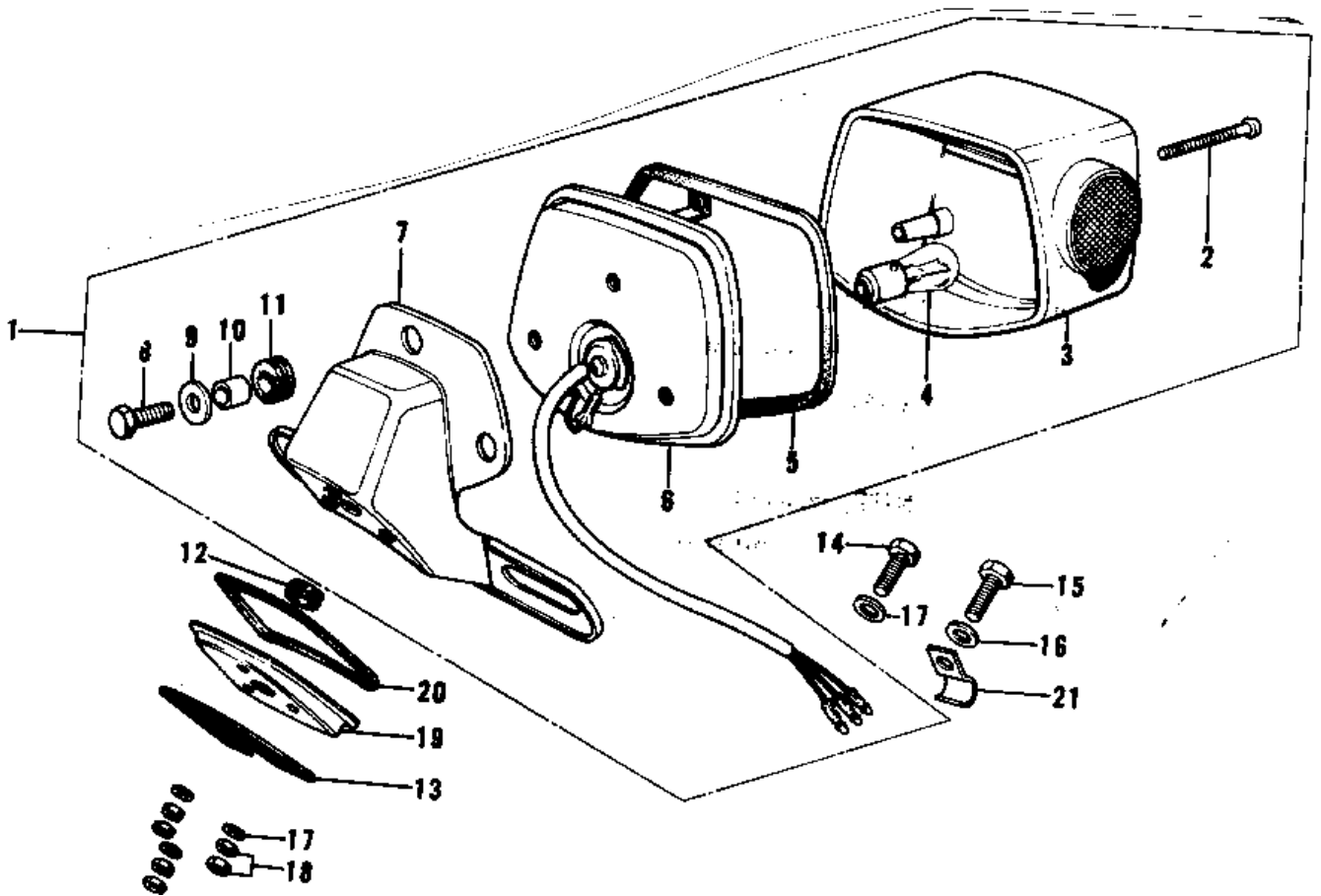


1973 F9-A PARTS DIAGRAM

TAILLIGHT



1973 F9-A PARTS LIST

TAILLIGHT

ITEM NAME	PART NUMBER	QUANTITY
LAMP ASSY, TAIL, F. BLK (Ref # 1)	23024-046-21	
SCREW (Ref # 2)	220R0455	
SCREW (Ref # 2)	220R0455	
SCREW PAN HEAD 4X50 (Ref # 2)	220E0450	
LENS, TAIL LAMP (Ref # 3)	23026-028	
BULB, 60-32/3CP (Ref # 4)	92069-074	
GASKET, TAIL LAMP LEN (Ref # 5)	23028-019	
BODY COMP TAIL LAMP (Ref # 6)	23027-1018	
BKT, LICENSE PIT, BLAC (Ref # 7)	23036-036-21	
BOLT-UPSET, 6X20 (Ref # 8)	112G0620	
BOLT-UPSET, 6X20 (Ref # 8)	112G0620	
WASHER 6.5X20X1.6T (Ref # 9)	92022-125	
COLLAR, 6.8X10X8.5 (Ref # 10)	92027-129	
DAMPER RUBBER (Ref # 11)	92075-076	
GROMMET HARNESS 10MM (Ref # 12)	92071-019	
DAMPER-TAIL LAMP SHC (Ref # 13)	35039-005	
BOLT-HEX HEAD, 6X32 (Ref # 14)	110N0632	
BOLT-HEX HEAD, 6X32 (Ref # 14)	110N0632	
BOLT-UPSET (Ref # 14)	112G0645	
BOLT, HEX HEAD, 6X50 (Ref # 15)	110G0650	
WASHER PLAIN (Ref # 16)	92022-024	
WASHER 6.5X20X1.6T (Ref # 17)	92022-125	
NUT 6MM (Ref # 18)	312B0600	
NUT 6MM (Ref # 18)	311B0600	
STAY, TAIL LAMP (Ref # 19)	35031-007	
DAMPER RUBBER, TAIL (Ref # 20)	35016-006	
CLIP WIRING HARNESS (Ref # 21)	35024-002	