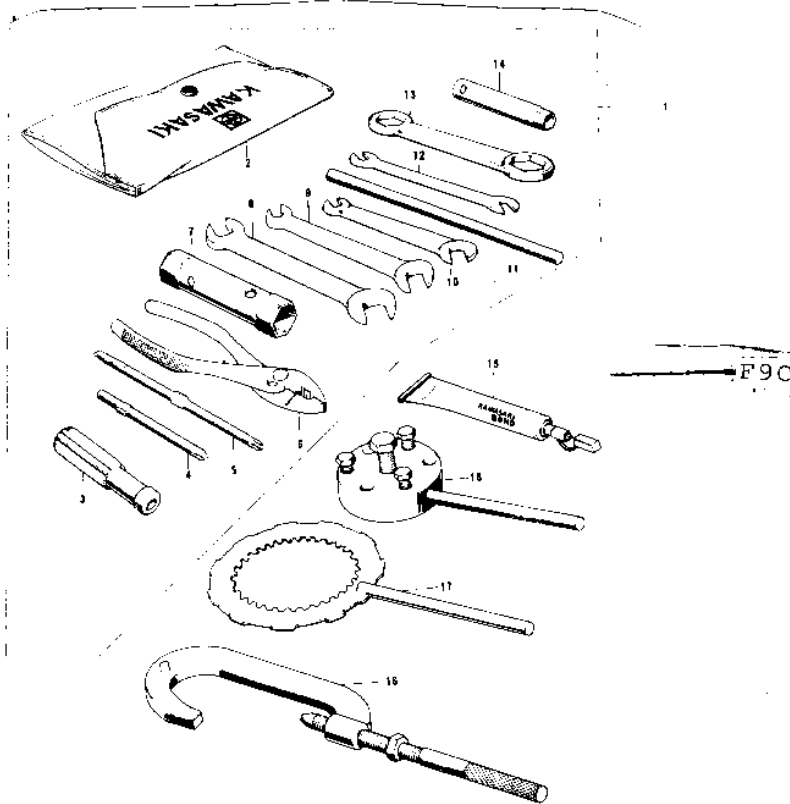
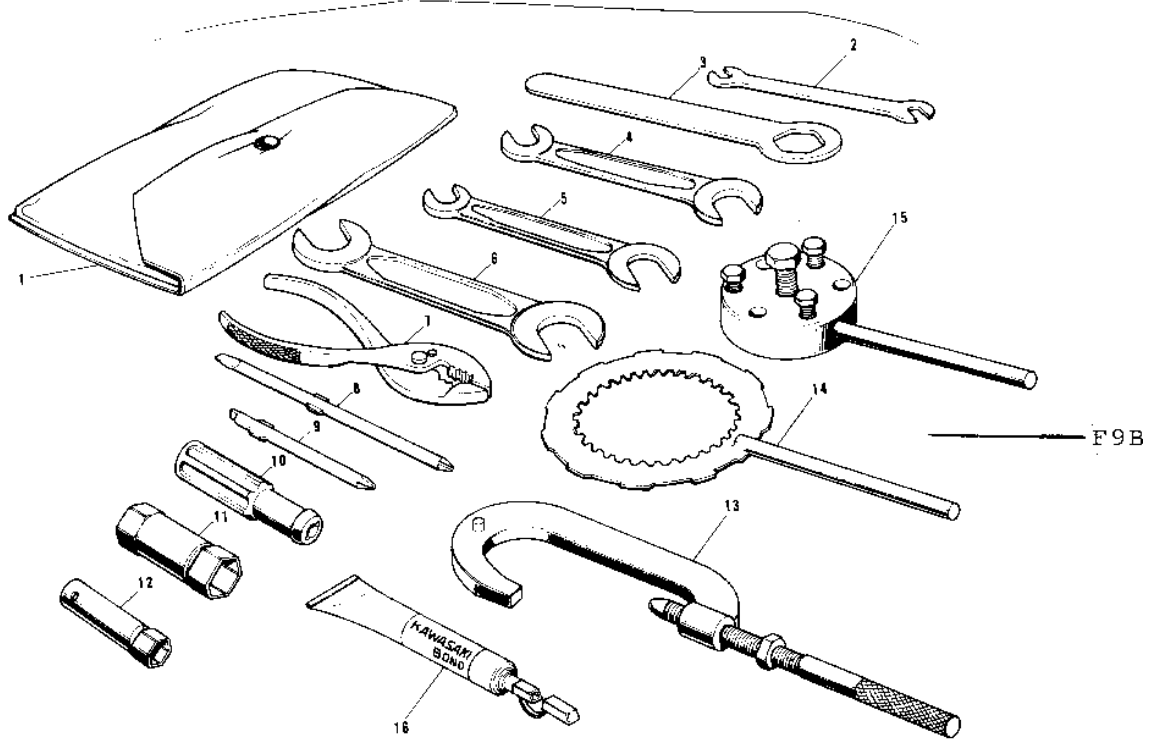


# 1972 F9 PARTS DIAGRAM

OWNER TOOLS/SPECIAL SERVICE TOOLS ('74-)



# 1972 F9 PARTS LIST

OWNER TOOLS/SPECIAL SERVICE TOOLS ('74-'

ITEM NAME	PART NUMBER	QUANTITY
UNAVAILABLE IN PRICE BOOK (Ref # 1~12)	56007-020	1
BAG,TOOL (Ref # 1)	56008-008	1
92108-011 (Canada) (Ref # 2)	92108-004	1
TIGHTONER-SPOKE (Ref # 3)	92109-003	1
UNAVAILABLE IN PRICE BOOK (Ref # 4)	960B1013	1
*** N.L.A.*** (Canada) (Ref # 5)	960B1014	1
*** N.L.A.*** (Canada) (Ref # 6)	960B1719	1
92112-003 (Canada) (Ref # 7)	92112-001	(1
UNAVAILABLE IN PRICE BOOK (Ref # 7)	92112-002	1
TOOL-DRIVER (Ref # 8)	92107-1052	1
SCREW DRIVER #3 PHLI (Ref # 9)	92107-005	1
92106-1001 (Canada) (Ref # 10)	92106-002	1
92110-012 (Canada) (Ref # 11)	92110-009	1
WRENCH BOX 10MM (Ref # 12)	92110-007	1
57001-1243 (Canada) (Ref # 13)	56019-040	1
57001-1243 (Canada) (Ref # 14)	56019-067	1
UNAVAILABLE IN PRICE BOOK (Ref # 15)	56019-068	1
LIQUID GASKET (Ref # 16)	92104-002	1
TOOL KIT (Ref # 1)	56007-048	1
BAG,TOOL (Ref # 2)	56008-008	1
92106-1001 (Canada) (Ref # 3)	92106-002	1
SCREW DRIVER #3 PHLI (Ref # 4)	92107-005	1
TOOL-DRIVER (Ref # 5)	92107-1052	1
PLIERS,160MM (Ref # 6)	92112-003	1
WRENCH,BOX,17X21 (Ref # 7)	92110-012	1
TOOL-WRENCH,OPEN END (Ref # 8)	92110-1153	1
WRENCH,OPEN END,12X1 (Ref # 9)	92126-002	1
WRENCH,OPEN,8X10 (Ref # 10)	92126-001	1
BAR,SPARK PLUG WRENC (Ref # 11)	92111-005	1