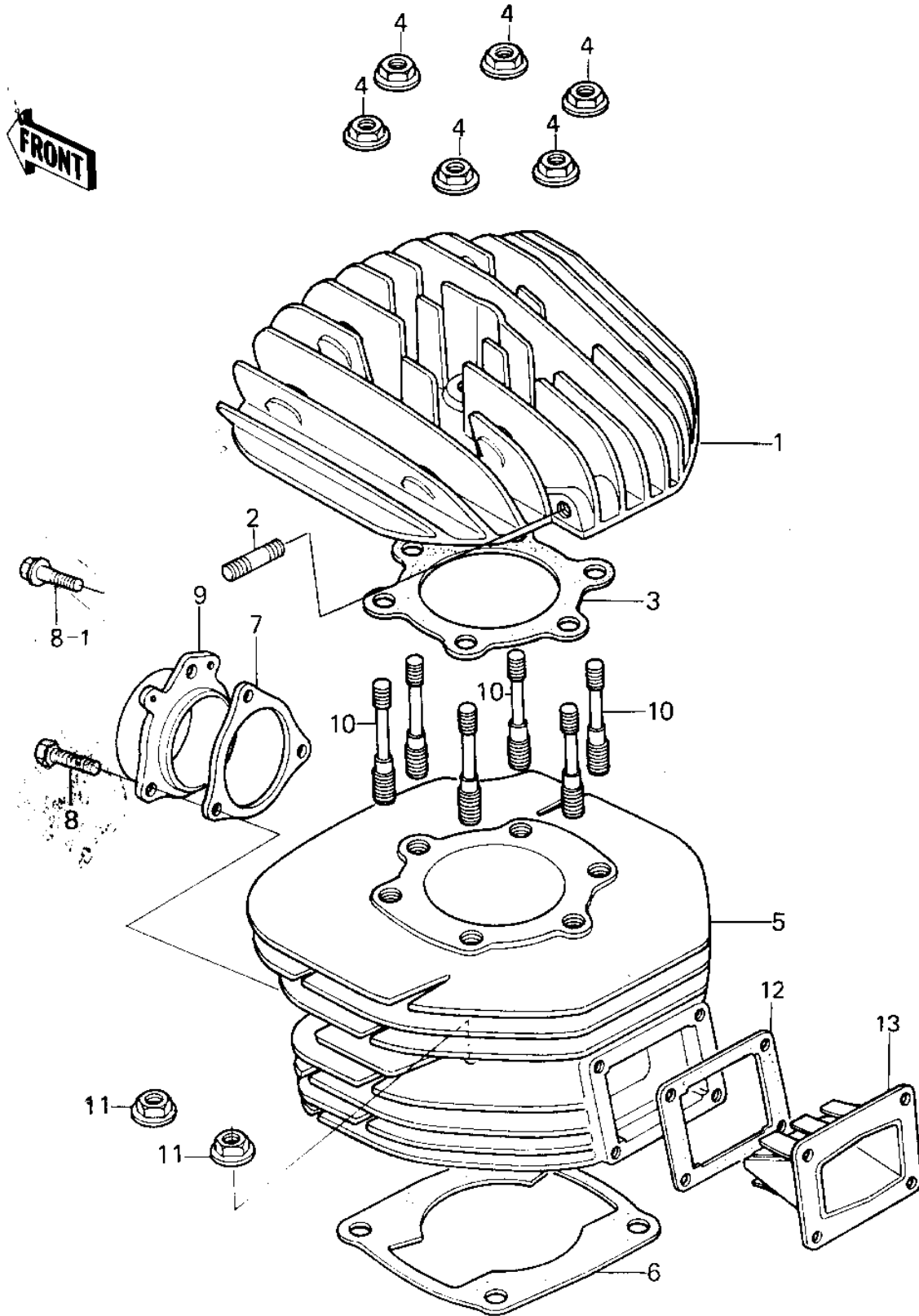


1981 KX250 PARTS DIAGRAM

CYLINDER HEAD/CYLINDER/REED VALVE



1981 KX250 PARTS LIST

CYLINDER HEAD/CYLINDER/REED VALVE

ITEM NAME	PART NUMBER	QUANTITY
CYLINDER HEAD,F BLACK (Ref # 1)	11001-1031	
STUD,10X18 (Ref # 2)	175G1018	
GASKET,CYL HEAD (Ref # 3)	11004-1012	
CYLINDER,ELECTRO-FUSE (Ref # 5)	11005-1081	
GASKET,CYLINDER BASE (Ref # 6)	11009-038	
GASKET,EXHAUST PIPE (Ref # 7)	11009-1017	
BOLT-UPSET (Ref # 8)	112G0618	
BOLT,FLANGED,6X20 (Ref # 8-1)	130G0620	
HOLDER,EXHAUST PIPE (Ref # 9)	18069-1013	
STUD,CYLINDER (Ref # 10)	92004-1026	
NUT,10MM (Ref # 11)	92015-1415	
GASKET,REED VALVE (Ref # 12)	11009-1018	
VALVE ASSY,REED (Ref # 13)	12021-1007	