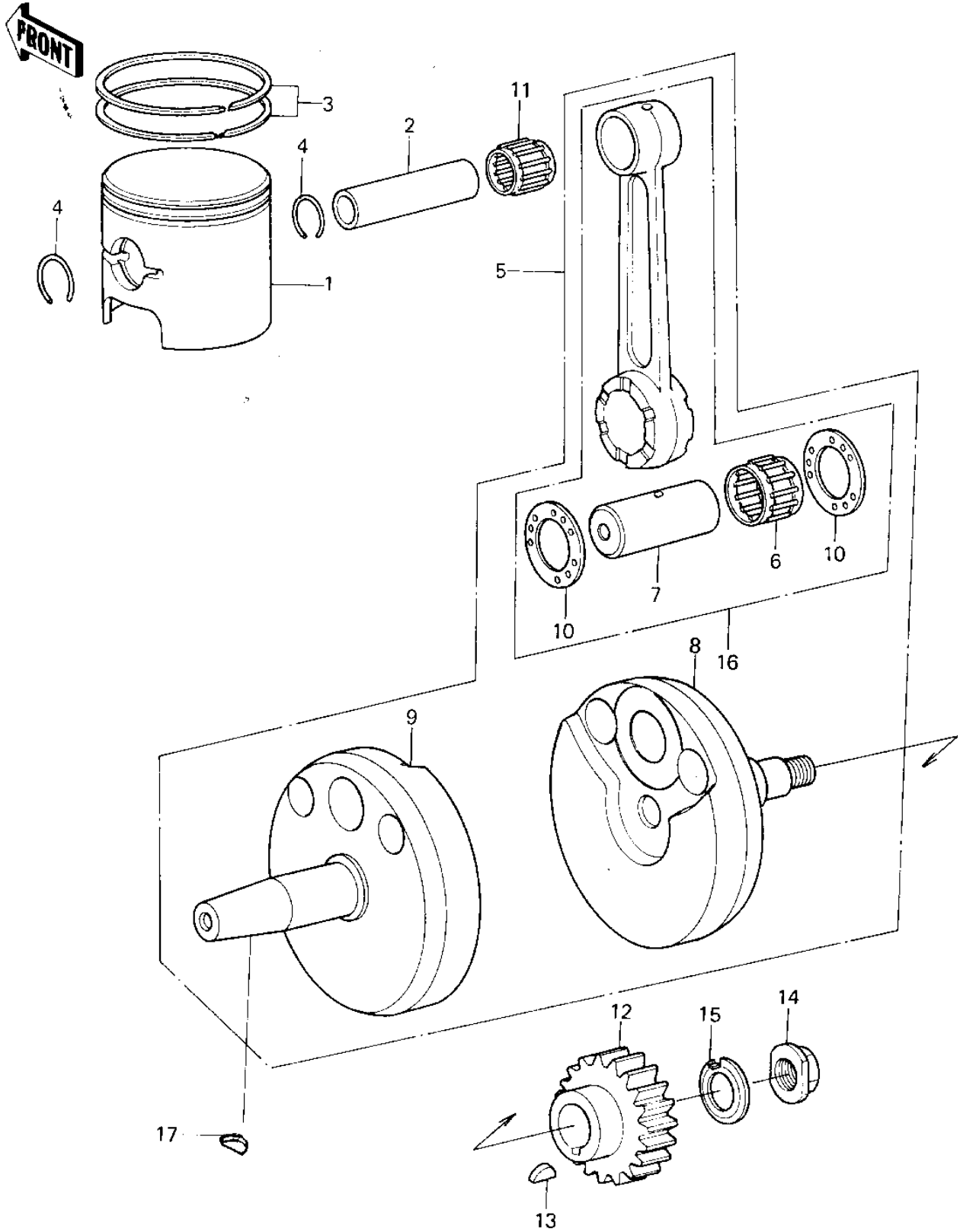


1980 KX250 PARTS DIAGRAM

CRANKSHAFT/PISTON



1980 KX250 PARTS LIST

CRANKSHAFT/PISTON

ITEM NAME	PART NUMBER	QUANTITY
PISTON,S.T.D (Ref # 1)	13001-1034	1
PIN-PISTON (Ref # 2)	13002-017	1
RING SET,STD (Ref # 3)	13008-5026	1
CIRCLIP-PISTON PIN (Ref # 4)	92036-015	2
CRANKSHAFT ASSY (Ref # 5)	13031-1038	1
BEARING,BIG END NEEDL (Ref # 6)	13034-049	1
PIN,CRANK (Ref # 7)	13035-034	1
CRANKSHAFT,R.H (Ref # 8)	13037-1069	1
CRANKSHAFT,L.H (Ref # 9)	13037-1068	1
SPACER (Ref # 10)	92026-1241	2
BEARING-SMALL END (Ref # 11)	13033-1010	1
GEAR,PRIMARY (Ref # 12)	13097-1028	1
WOODRUFF KEY (Ref # 13)	510A5100	1
NUT,CRANKSHAFT (Ref # 14)	92015-069	1
WASHER,LOCK (Ref # 15)	92024-061	1
CONNECTING ROD SET (Ref # 16)	13044-5007	1
WOODRUFF KEY (Ref # 17)	92038-001	1