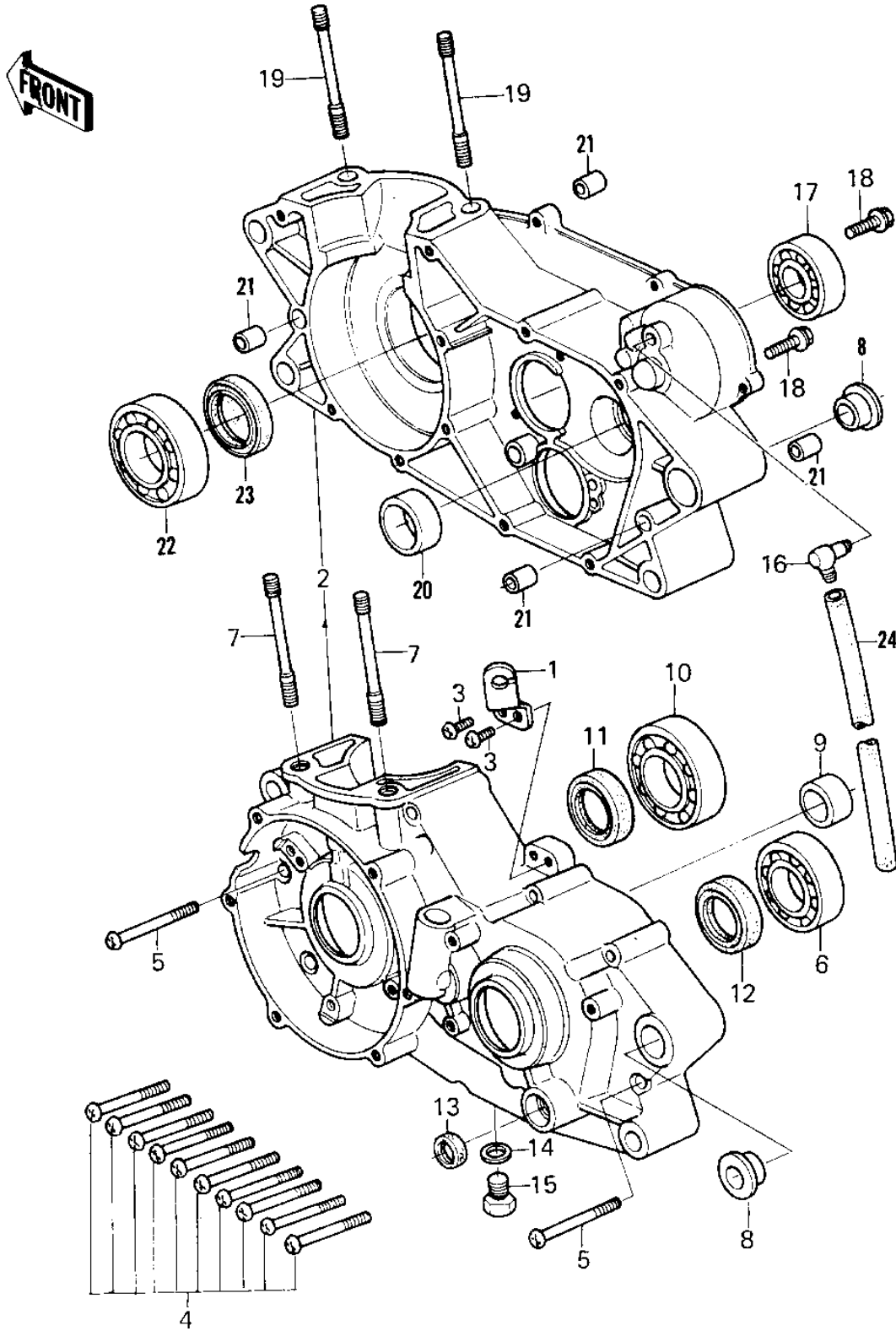


1981 KX250 PARTS DIAGRAM

CRANKCASE



1981 KX250 PARTS LIST

CRANKCASE

ITEM NAME	PART NUMBER	QUANTITY
HOLDER,CLUTCH CABLE (Ref # 1)	13091-1068	
SET-CRANKCASE (Ref # 2)	14001-5068	
CRANKCASE SET (Ref # 2)	14001-5069	
SCREW PAN HEAD 6X16 (Ref # 3)	220B0616	
SCREW PAN HEAD 6X50 (Ref # 4)	220B0650	
SCREW PAN HEAD 6X60 (Ref # 5)	220B0660	
BEARING BALL #6205 (Ref # 6)	601B6205	
STUD,10X65 (Ref # 7)	92004-1032	
BUSHING,PIVOT MOUNT (Ref # 8)	92028-1074	
BUSHING,CASE PIVOT (Ref # 8)	92028-1123	
BUSHING (Ref # 9)	92028-132	
BEARING,BALL,#6305SH2 (Ref # 10)	92045-1024	
OIL SEAL,TCJ20407 (Ref # 11)	92049-1052	
OIL SEAL TB3040 (Ref # 12)	92050-033	
OIL SEAL,TB13225.5 (Ref # 13)	92051-005	
GASKET CHECK VALVE (Ref # 14)	92065-058	
PLUG OIL DRAIN (Ref # 15)	92067-001	
BREATHER (Ref # 16)	14069-003	
BEARING BALL #6204 (Ref # 17)	601B6204	
BOLT,CLUTCH SPR FITT (Ref # 18)	92001-1066	
STUD,10X65 (Ref # 19)	92004-1032	
BUSHING (Ref # 20)	92028-131	
PIN,DOWEL,10X8.2X14 (Ref # 21)	92043-1037	
BEARING,BALL,#6305SH2 (Ref # 22)	92045-1024	
OIL SEAL,TCJ25457 (Ref # 23)	92049-1051	
PIPE-BREATHER (Ref # 24)	92059-061	