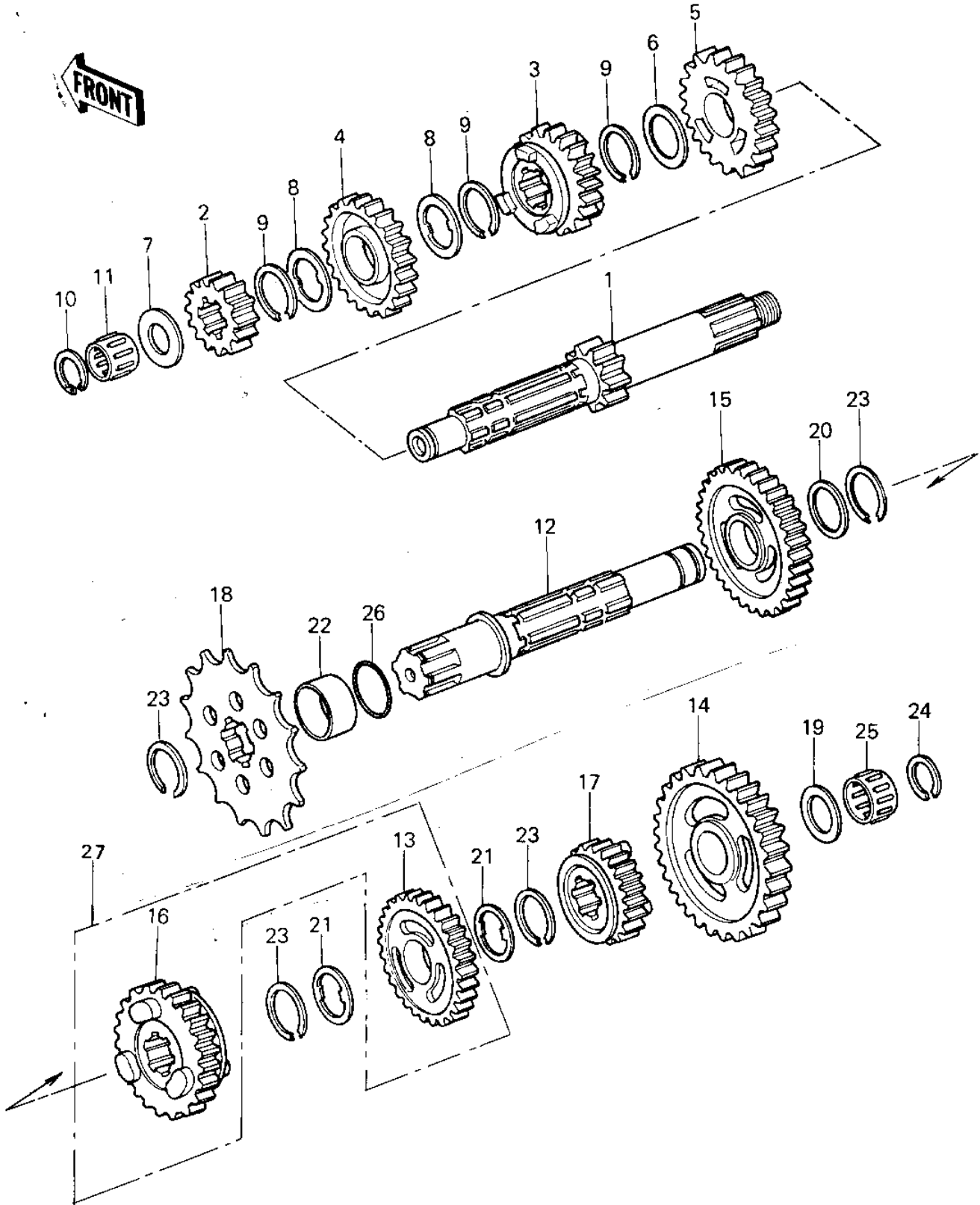


# 1980 KX250 PARTS DIAGRAM

## TRANSMISSION



# 1980 KX250 PARTS LIST

## TRANSMISSION

ITEM NAME	PART NUMBER	QUANTITY
SHAFT,DRIVE (Ref # 1)	13127-1022	1
2ND GEAR,DRIVE,16T (Ref # 2)	13129-1156	1
GEAR,INPUT 3RD,18T (Ref # 3)	13129-1956	1
4TH GEAR,DRIVE,25T (Ref # 4)	13129-1205	1
TOP GEAR,DRIVE (Ref # 5)	13129-1206	1
WASHER-PLAIN (Ref # 6)	92022-198	1
WASHER,PLAIN (Ref # 7)	92022-281	1
WASHER-LOCK (Ref # 8)	92024-039	2
CIRCLIP,25MM (Ref # 9)	92033-025	3
CIRCLIP,16MM (Ref # 10)	92033-032	1
BEARING-NEEDLE (Ref # 11)	92046-1184	1
SHAFT,OUTPUT (Ref # 12)	13128-1025	1
GEAR-ASSY,OUTPUT (Ref # 13)	13101-5031	1
3RD GEAR,OUTPUT,25T (Ref # 13)	13129-1272	1
LOW GEAR,OUTPUT,32T (Ref # 14)	13129-1160	1
2ND GEAR,OUTPUT,27T (Ref # 15)	13129-1161	1
GEAR-ASSY,OUTPUT (Ref # 16)	13101-5031	1
4TH GEAR,OUTPUT,29T (Ref # 16)	13129-1273	1
TOP GEAR,OUTPUT,24T (Ref # 17)	13129-1164	1
ENGINE SPROCKET,14T (Ref # 18)	13144-1006	1
WASHER THRUST (Ref # 19)	92022-112	1
WASHER-PLAIN 25MM (Ref # 20)	92022-159	1
WASHER-LOCK (Ref # 21)	92024-038	2
COLLAR-ENG SPROKET (Ref # 22)	92027-163	1
CIRCLIP (Ref # 23)	92033-026	4
CIRCLIP,18MM (Ref # 24)	92033-029	1
BEARING-NEEDLE,KT2026 (Ref # 25)	92046-1170	1
"O" RING (Ref # 26)	92055-035	1
GEAR-ASSY,OUTPUT (Ref # 27)	13101-5031	1