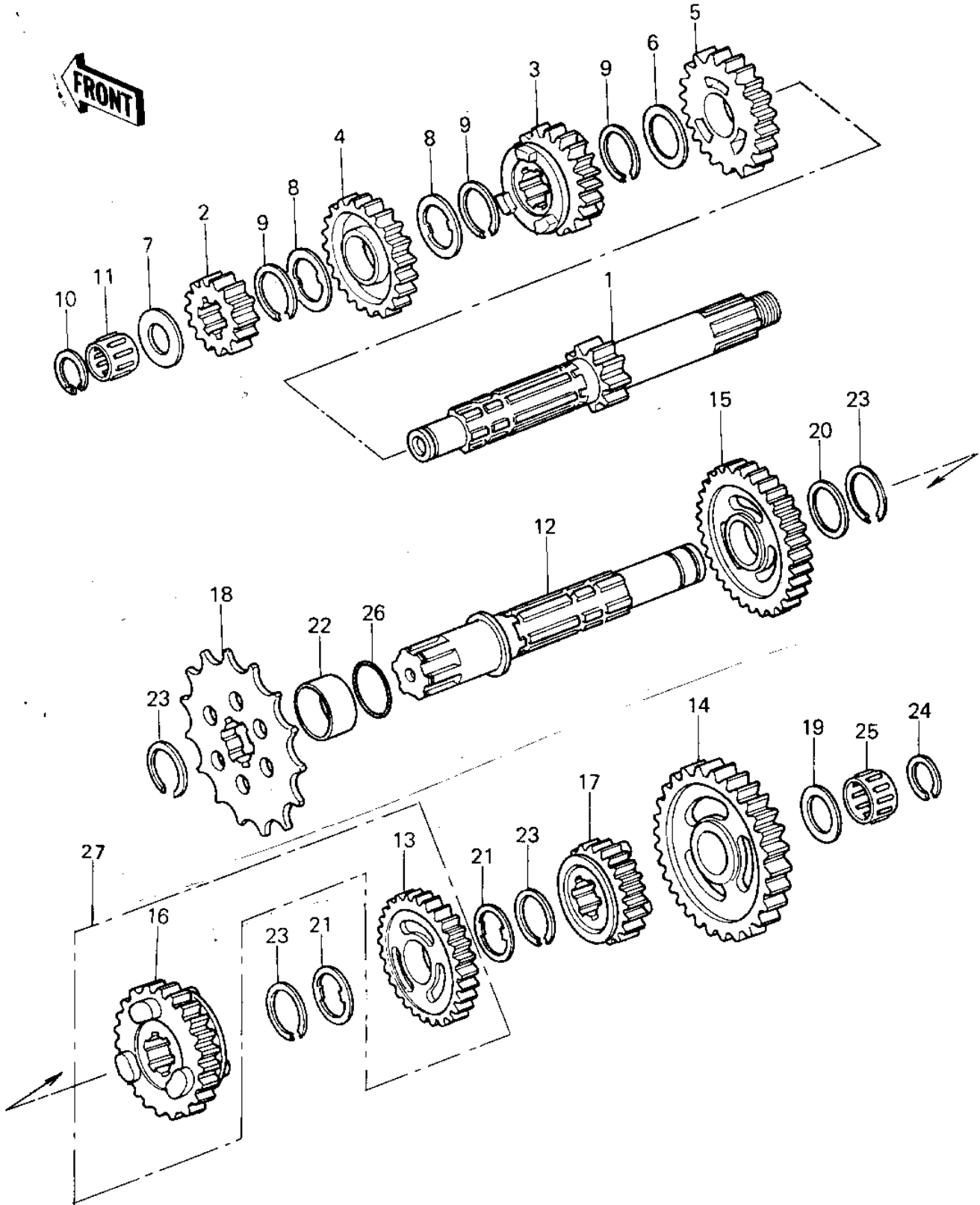


# 1981 KX250 PARTS DIAGRAM

## TRANSMISSION



# 1981 KX250 PARTS LIST

## TRANSMISSION

ITEM NAME	PART NUMBER	QUANTITY
SHAFT,DRIVE (Ref # 1)	13127-1022	
2ND GEAR,DRIVE,16T (Ref # 2)	13129-1156	
GEAR,INPUT 3RD,18T (Ref # 3)	13129-1956	
4TH GEAR,DRIVE,25T (Ref # 4)	13129-1205	
TOP GEAR,DRIVE (Ref # 5)	13129-1206	
WASHER-PLAIN (Ref # 6)	92022-198	
WASHER,PLAIN (Ref # 7)	92022-281	
WASHER-LOCK (Ref # 8)	92024-039	
CIRCLIP,25MM (Ref # 9)	92033-025	
CIRCLIP,16MM (Ref # 10)	92033-032	
BEARING-NEEDLE (Ref # 11)	92046-1184	
SHAFT,OUTPUT (Ref # 12)	13128-1025	
GEAR-ASSY,OUTPUT (Ref # 13)	13101-5031	
3RD GEAR,OUTPUT,25T (Ref # 13)	13129-1272	
LOW GEAR,OUTPUT,32T (Ref # 14)	13129-1160	
2ND GEAR,OUTPUT,27T (Ref # 15)	13129-1161	
GEAR-ASSY,OUTPUT (Ref # 16)	13101-5031	
4TH GEAR,OUTPUT,29T (Ref # 16)	13129-1273	
TOP GEAR,OUTPUT,24T (Ref # 17)	13129-1164	
ENGINE SPROCKET,14T (Ref # 18)	13144-1006	
WASHER THRUST (Ref # 19)	92022-112	
WASHER-PLAIN 25MM (Ref # 20)	92022-159	
WASHER-LOCK (Ref # 21)	92024-038	
COLLAR-ENG SPROKET (Ref # 22)	92027-163	
CIRCLIP (Ref # 23)	92033-026	
CIRCLIP,18MM (Ref # 24)	92033-029	
BEARING-NEEDLE,KT2026 (Ref # 25)	92046-1170	
"O" RING (Ref # 26)	92055-035	
GEAR-ASSY,OUTPUT (Ref # 27)	13101-5031	