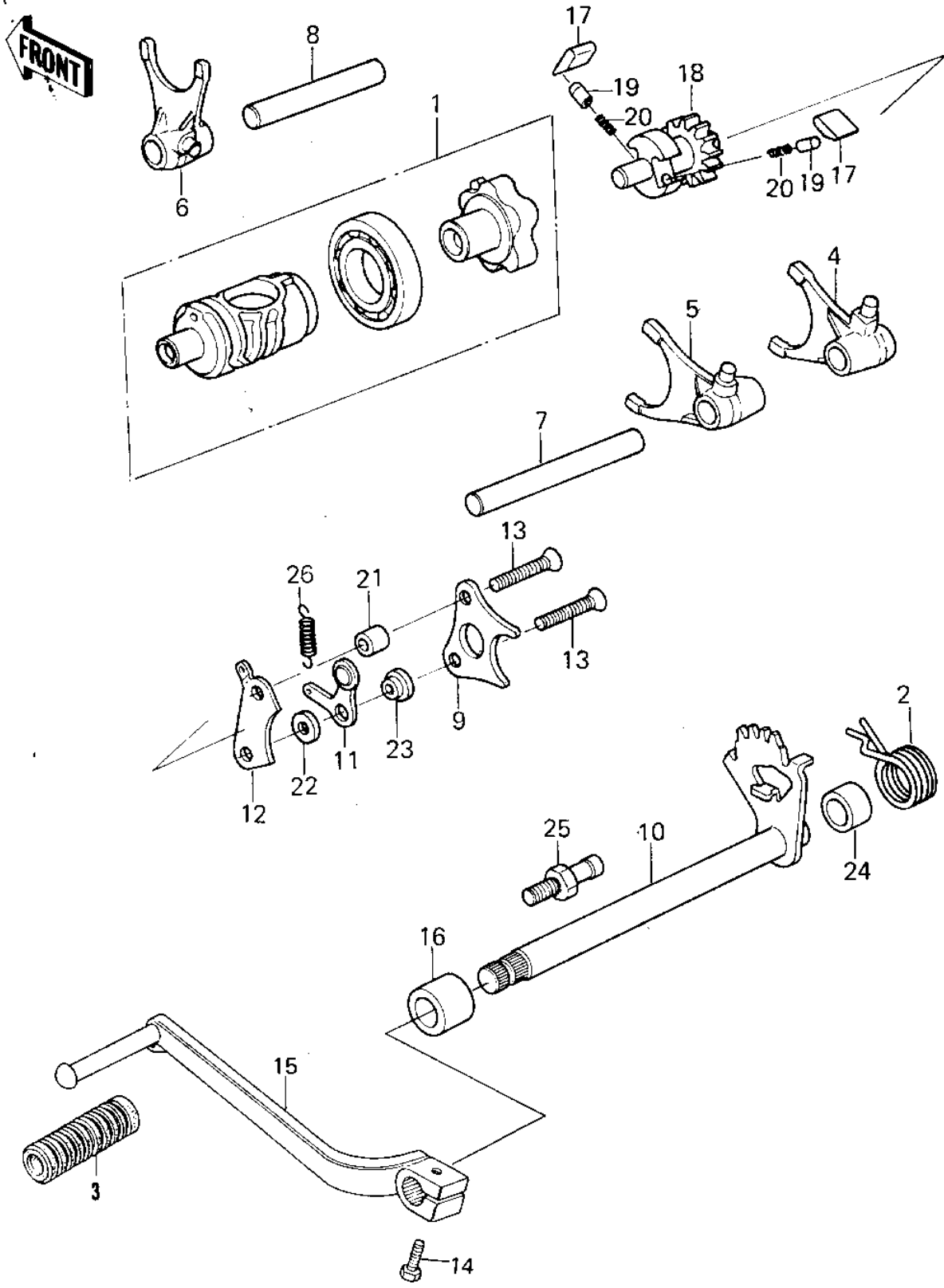


# 1980 KX250 PARTS DIAGRAM

## GEAR CHANGE MECHANISM



# 1980 KX250 PARTS LIST

## GEAR CHANGE MECHANISM

ITEM NAME	PART NUMBER	QUANTITY
DRUM ASSY,GEAR CHANGE (Ref # 1)	13239-1028	1
SPRING,TENTION (Ref # 2)	92081-1129	1
DAMPER,CHANGE PEDAL (Ref # 3)	92160-1108	1
SHIFT FORK,LOW (Ref # 4)	13140-1031	1
SHIFT FORK,2ND&3RD (Ref # 5)	13140-1032	1
SHIFT FORK,4TH&TOP (Ref # 6)	13140-1033	1
ROD,SHIFT,10X90 (Ref # 7)	49047-1009	1
ROD,SHIFT,L=65M/M (Ref # 8)	49047-1011	1
GUIDE,RATCHET (Ref # 9)	13070-1049	1
LEVER ASSY,GEAR CHNGE (Ref # 10)	13161-1016	1
LEVER,CHANGE DRUM (Ref # 11)	13236-1021	1
PLATE,POSITIONING (Ref # 12)	14014-1013	1
SCREW,COUNTRSUNK,6X28 (Ref # 13)	221B0628	2
BOLT (Ref # 14)	110P0620	1
PEDAL ASSY,GEAR CHANG (Ref # 15)	13156-1045	1
COLLAR,13.5X22X18 (Ref # 16)	92027-1274	1
PAWL,RATCHET (Ref # 17)	13165-1026	2
PAWL,RATCHET (Ref # 17)	13165-1026	2
RATCHET,CHANGE DRUM (Ref # 18)	13216-1020	1
PIN (Ref # 19)	92043-1067	2
SPRING,RATCHET PAWL (Ref # 20)	92081-1201	2
COLLAR,RATCHET GUIDE (Ref # 21)	92027-1234	1
COLLAR,RATCHET GUIDE (Ref # 22)	92027-1235	1
COLLAR (Ref # 23)	92027-1248	1
COLLAR (Ref # 24)	92027-189	1
PIN,CHANGE PEDAL (Ref # 25)	92043-1055	1
SPRING-COIL (Ref # 26)	92081-077	1