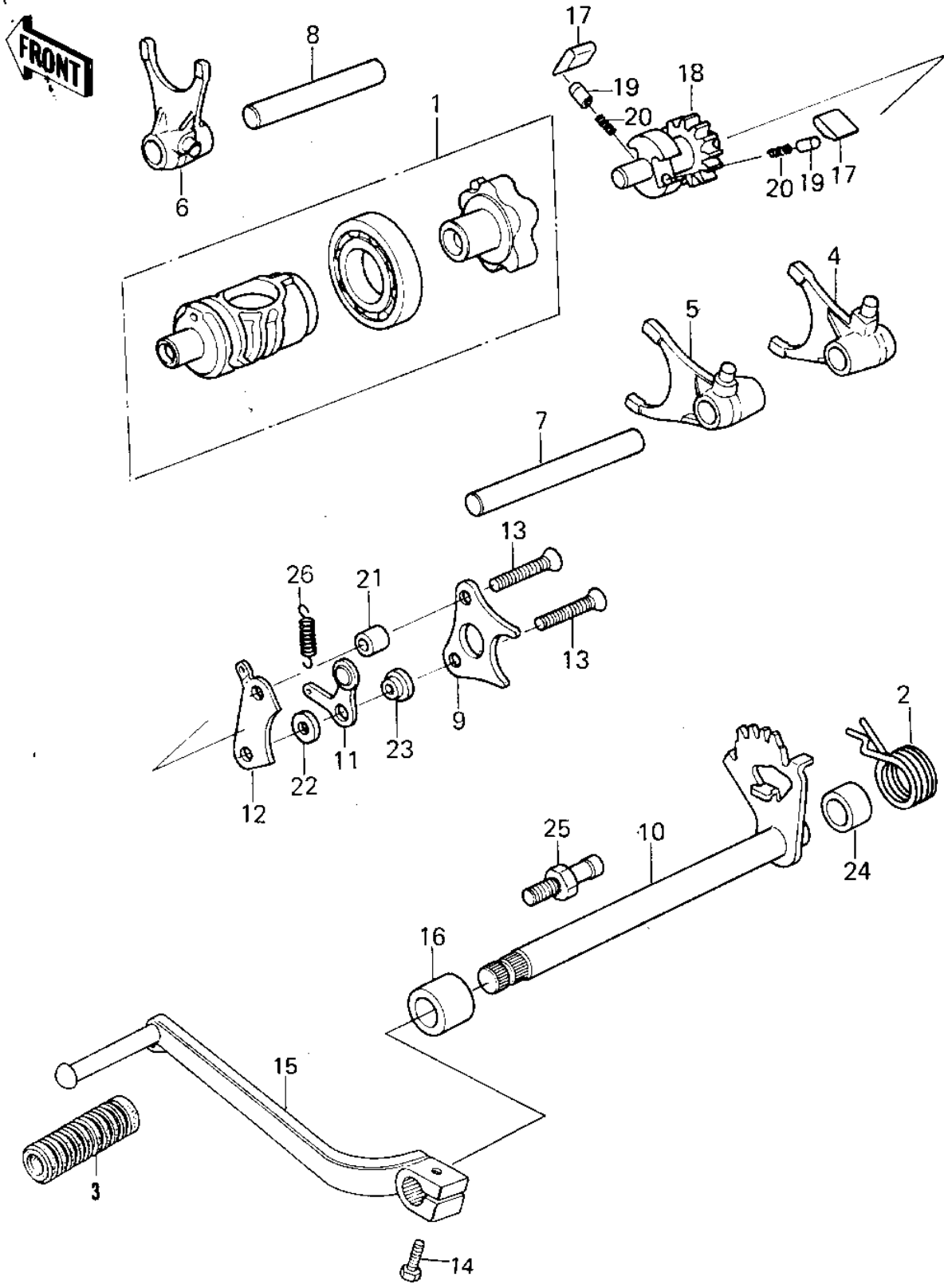


1981 KX250 PARTS DIAGRAM

GEAR CHANGE MECHANISM



1981 KX250 PARTS LIST

GEAR CHANGE MECHANISM

| ITEM NAME | PART NUMBER | QUANTITY |
|----------------------------------|-------------|----------|
| DRUM ASSY,GEAR CHANGE (Ref # 1) | 13239-1028 | |
| SPRING,TENTION (Ref # 2) | 92081-1129 | |
| DAMPER,CHANGE PEDAL (Ref # 3) | 92160-1108 | |
| SHIFT FORK,LOW (Ref # 4) | 13140-1031 | |
| SHIFT FORK,2ND&3RD (Ref # 5) | 13140-1032 | |
| SHIFT FORK,4TH&TOP (Ref # 6) | 13140-1033 | |
| ROD,SHIFT,10X90 (Ref # 7) | 49047-1009 | |
| ROD,SHIFT,L=65M/M (Ref # 8) | 49047-1011 | |
| GUIDE,RATCHET (Ref # 9) | 13070-1049 | |
| LEVER ASSY,GEAR CHNGE (Ref # 10) | 13161-1016 | |
| LEVER,CHANGE DRUM (Ref # 11) | 13236-1021 | |
| PLATE,POSITIONING (Ref # 12) | 14014-1013 | |
| SCREW,COUNTRSUNK,6X28 (Ref # 13) | 221B0628 | |
| BOLT (Ref # 14) | 110P0620 | |
| PEDAL ASSY,GEAR CHANG (Ref # 15) | 13156-1045 | |
| COLLAR,13.5X22X18 (Ref # 16) | 92027-1274 | |
| PAWL,RATCHET (Ref # 17) | 13165-1026 | |
| PAWL,RATCHET (Ref # 17) | 13165-1026 | |
| RATCHET,CHANGE DRUM (Ref # 18) | 13216-1020 | |
| PIN (Ref # 19) | 92043-1067 | |
| SPRING,RATCHET PAWL (Ref # 20) | 92081-1201 | |
| COLLAR,RATCHET GUIDE (Ref # 21) | 92027-1234 | |
| COLLAR,RATCHET GUIDE (Ref # 22) | 92027-1235 | |
| COLLAR (Ref # 23) | 92027-1248 | |
| COLLAR (Ref # 24) | 92027-189 | |
| PIN,CHANGE PEDAL (Ref # 25) | 92043-1055 | |
| SPRING-COIL (Ref # 26) | 92081-077 | |