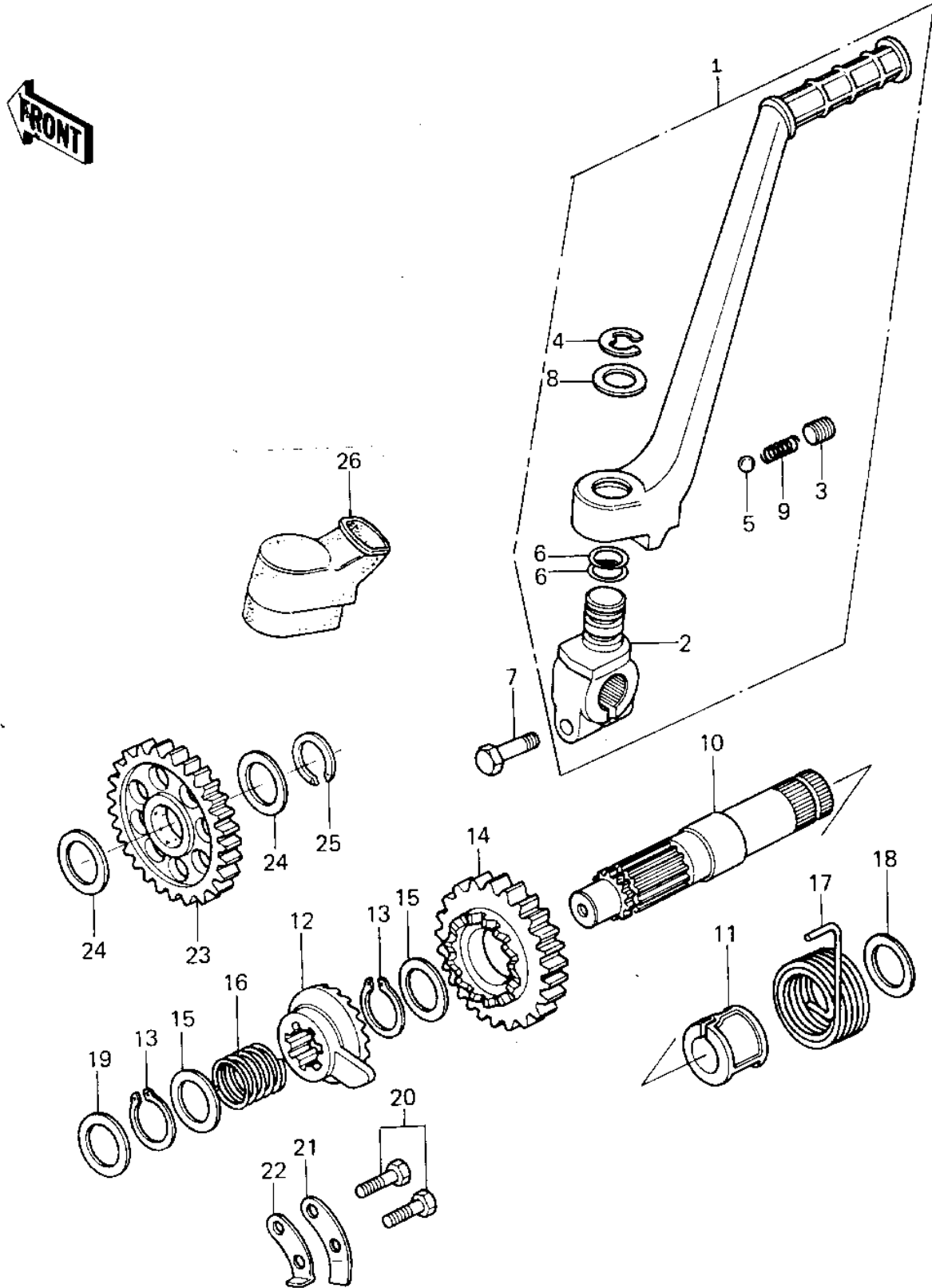


1980 KX250 PARTS DIAGRAM

KICKSTARTER MECHANISM



1980 KX250 PARTS LIST

KICKSTARTER MECHANISM

ITEM NAME	PART NUMBER	QUANTITY
LEVER-ASSY-KICK PEDAL (Ref # 1)	13064-5005	1
PEDAL ASSY,KICK (Ref # 1)	13064-5003	1
BOSS,KICK PEDAL (Ref # 2)	13061-5001	1
BOSS,KICKSTARTER (Ref # 2)	13061-1007	1
SCREW,8X8 (Ref # 3)	290Q0808	1
CIR CLIP (Ref # 4)	482K0100	1
BALL STEEL 1/4' (Ref # 5)	600A0800	1
"O" RING,12MM (Ref # 6)	670B2012	2
"O" RING,15MM (Ref # 6)	670B2015	2
BOLT,HEX HEAD,8X28 (Ref # 7)	92001-1042	1
WASHER,PLAIN (Ref # 8)	92022-1019	1
SPRING KICK PEDAL (Ref # 9)	92081-020	1
SHAFT,KICKSTARTER (Ref # 10)	13066-1014	1
GUID,KICKSTARTER SPRG (Ref # 11)	13070-011	1
RATCHET,KL250-D2 (Ref # 12)	13078-1052	1
CIRCLIP 16MM (Ref # 13)	480J1600	2
GEAR,KICKSTARTER,27T (Ref # 14)	59051-1023	1
WASHER,PLAIN (Ref # 15)	92022-315	2
SPRING,RATCHET (Ref # 16)	92081-122	1
SPRING,KICKSTARTER (Ref # 17)	92081-1253	1
SPACER,17.2X23X0.5 (Ref # 18)	92026-1037	1
WASHER,PLAIN (Ref # 19)	92022-269	1
BOLT-UPSET (Ref # 20)	112G0618	2
GUIDE-KICK (Ref # 21)	13206-1059	1
STOPPER,KICKSTARTER (Ref # 22)	32085-1016	1
IDLE GEAR, KICKSTRTER (Ref # 23)	59051-1022	1
WASHER (Ref # 24)	92022-252	2
CIRCLIP,18MM (Ref # 25)	92033-029	1
BOOT,KICKSTARTER (Ref # 26)	49006-1006	1